

# Mini-Sync™ & Micro-Sync™

Connectors, Cable Assemblies and Receptacles

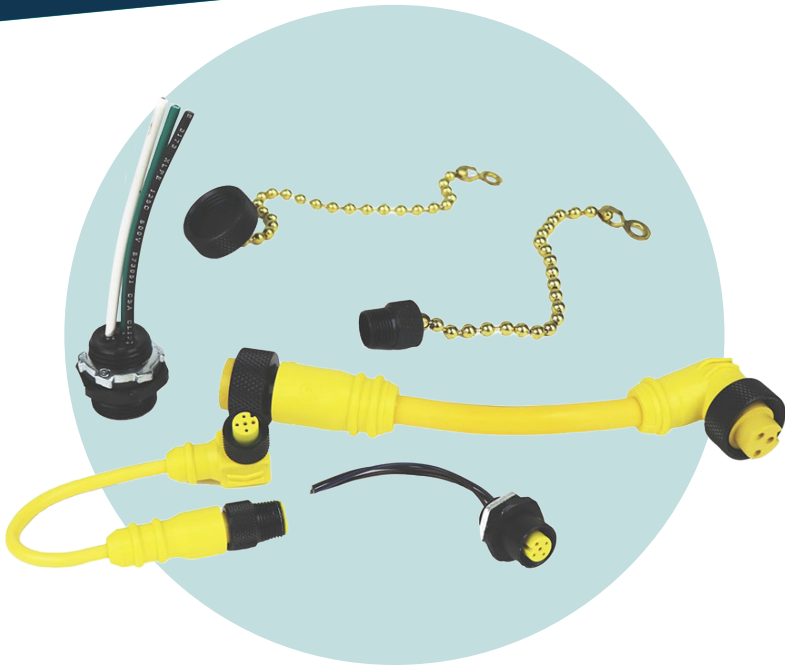
EXPERIENCE. INNOVATION. EXPERTISE.

SCAN HERE



# Mini-Sync™ & Micro-Sync™

## Connectors, Cable Assemblies & Receptacles



### Industry Leading Features:

- NEMA 6P and IP68 Protection
- Made in the USA
- Compatible with U.S. and European sensors
- High-impact resistant contact carriers
- Corrosion resistant gold plated contacts
- Secure pin and contact crimp termination
- Mechanically keyed
- Field installable
- Stress and harsh environment resistant
- Vibration resistant
- Designed for low amperage AC or DC control systems
- Wide range of configuration alternatives available including male and female connections, 2 thru 12 pole pin-outs, straight 90° configurations and single or dual keyway



### Product Application Guide

Product	Connects To	Application
<b>Mini-Sync Connectors</b>	<ul style="list-style-type: none"> <li>• 12 &amp; 18mm Sensors &amp; Actuators</li> <li>• Solenoids &amp; Hydraulic Valves</li> <li>• Fractional HP Motors</li> <li>• Proximity, Pressure &amp; Limit Switches</li> <li>• Power Tools &amp; Foot Operated Switches</li> <li>• Controls For Cranes &amp; Hoists</li> </ul>	<ul style="list-style-type: none"> <li>• Material Handling Systems</li> <li>• Assembly &amp; Packaging Lines</li> <li>• Conveyors</li> <li>• OEM Machines &amp; Equipment</li> <li>• Robotics</li> <li>• Transportation Equipment</li> </ul>
<b>Micro-Sync Connectors</b>	<ul style="list-style-type: none"> <li>• M12 Sensors &amp; Actuators</li> <li>• Modular Controls and Solenoids</li> <li>• 12 &amp; 18mm Sensors &amp; Actuators</li> <li>• Photoelectric Switches</li> <li>• Proximity, Pressure &amp; Limit Switches</li> <li>• Hydraulic &amp; Pneumatic Valves</li> </ul>	<ul style="list-style-type: none"> <li>• Conveyors</li> <li>• Pick-N-Place Robots &amp; Machines</li> <li>• Assembly &amp; Packaging Lines</li> <li>• OEM Machines &amp; Equipment</li> <li>• Transfer Lines</li> <li>• Automated Machinery</li> </ul>

### Unique Features:



IP68 & NEMA 6P Protection



Brass, Gold Plated over Nickel contacts to ensure secure fit and connection



IP68 & NEMA6P protection. Stainless Steel contact sleeve



Sealing Caps available for inlets, outlets, plugs and connectors.

# MINI-SYNC™

## Selection Guide Overview



### 2-12 Pole / PVC Cable Assemblies – Male & Female, Straight & 90°

Materials	
Body	PVC
Contact Carrier	Nitrile Rubber
Contact Sleeve	Stainless Steel
Contact	Brass, Gold Plated over Nickel
Coupling Nut	Machined Aluminum, Black Anodized
Cable #*	#16 AWG Type PVC, 65 x #34 stranding 105°C
Certifications	UL Recognized, CSA Certified
Cable Diameters	2/C-.17" 3/C-.18" 4/C-.19" 5/C-.21" 6/C-.22"
Electrical	
Voltage Rating	600VAC
Contact Resistance	<5m Ω
Environmental	
Protection	IP68, NEMA 6P
Operating Temp	-20°C to 105°C

### 2-12 Pole Receptacles

Materials	
Insert Materials	Nitrile Rubber
"O" Ring	Viton
Contact Sleeve	Stainless Steel
Shell	Machined Aluminum, Black Anodized**
Cable #*	#16 AWG Type PVC, 65 x #34 stranding 105°C
Electrical	
Voltage Rating	600VAC
Contact Resistance	<5m Ω
Environmental	
Protection	IP68, NEMA 6P
Operating Temp	-50C to 90C (UL) and -34C to 90C (CSA)

\*Consult the factory for custom wire length and a full range of wire management product accessories

\*\* Stainless steel available



# Selection Guide

## 2-12 Pole Receptacles

Poles	Face View	Electrical Rating	Wiring Code	Overall Length	MINI-SYNC Straight Male	MINI-SYNC Male 90°
2		13A / 600VAC	1- White 2- Black	12 in.	82MRC	82FRC
3		13A / 600VAC	1- Green 2- Black 3- White	12 in.	83MRC	83FRC
4		10A / 600VAC	1- Black 2- White 3- Red 4- Green	12 in.	84MRC	84FRC
5		8A / 600VAC	1- White 2- Red 3- Green 4- Orange 5- Black	12 in.	85MRC	85FRC
6		8A / 600VAC	1- White 2- Red 3- Green 4- Black 5- Orange 6- Blue	12 in.	86MRC	86FRC
6B		8A / 600VAC	1- White 2- Red 3- Green 4- Black 5- Orange 6- Blue	12 in.	86BMRC	86BFRC
8		8A / 600VAC	1- White 2- Red 3- Green 4- Black 5- Orange 6- Blue 7- Green 8- White-Blk.Tr.	12 in.	88MRC	88FRC
9		7A / 600VAC	1- Orange 2- Blue 3- Red-Blk.Tr. 4- Green-Blk.Tr. 5- White 6- Red 7- Green 8- White-Blk.Tr. 9- Black	12 in.	89MRC	89FRC
10		7A / 600VAC	1- Orange 2- Blue 3- White-Blk.Tr. 4- Red-Blk.Tr. 5- Green-Blk.Tr. 6- Orange-Blk.Tr. 7- Red 8- Green 9- Black 10- White	12 in.	810MRC	810FRC
12		7A / 600VAC	1- Orange 2- Blue 3- White-Blk.Tr. 4- Red-Blk.Tr. 5- Green-Blk.Tr. 6- Orange-Blk.Tr. 7- Blue-Blk.Tr. 8- Black-Wht.Tr. 9- Green 10- Red 11- White 12- Black	12 in.	812MRC	812FRC



## Selection Guide

### 2-6 Pole, Male & Female – Straight & 90°

Poles	Face View	Electrical Rating	Wiring Code	Overall Length (ft./m.)	MINI-SYNC Straight Male	MINI-SYNC Male 90°	MINI-SYNC Straight Female	MINI-SYNC Female 90°
2	<b>MALE</b>  <b>FEMALE</b> 	13A / 600VAC	1- White 2- Black	3 ft. / 0.91 m.	82MS003A	82M9003A	82FS003A	82F9003A
				6 ft. / 1.83 m.	82MS006A	82M9006A	82FS006A	82F9006A
				12 ft. / 3.66 m.	82MS012A	82M9012A	82FS012A	82F9012A
				15 ft. / 3.66 m.	82MS015A	82M9015A	82FS015A	82F9015A
				20 ft. / 6.10 m.	82MS020A	82M9020A	82FS020A	82F9020A
3	<b>MALE</b>  <b>FEMALE</b> 	13A / 600VAC	1- Green 2- Black 3- White	3 ft. / 0.91 m.	83MS003A	83M9003A	83FS003A	83F9003A
				6 ft. / 1.83 m.	83MS006A	83M9006A	83FS006A	83F9006A
				12 ft. / 3.66 m.	83MS012A	83M9012A	83FS012A	83F9012A
				15 ft. / 3.66 m.	83MS015A	83M9015A	83FS015A	83F9015A
				20 ft. / 6.10 m.	83MS020A	83M9020A	83FS020A	83F9020A
4	<b>MALE</b>  <b>FEMALE</b> 	10A / 600VAC	1- Black 2- White 3- Red 4- Green	3 ft. / 0.91 m.	84MS003A	84M9003A	84FS003A	84F9003A
				6 ft. / 1.83 m.	84MS006A	84M9006A	84FS006A	84F9006A
				12 ft. / 3.66 m.	84MS012A	84M9012A	84FS012A	84F9012A
				15 ft. / 3.66 m.	84MS015A	84M9015A	84FS015A	84F9015A
				20 ft. / 6.10 m.	84MS020A	84M9020A	84FS020A	84F9020A
5	<b>MALE</b>  <b>FEMALE</b> 	8A / 600VAC	1- White 2- Red 3- Green 4- Orange 5- Black	3 ft. / 0.91 m.	85MS003A	85M9003A	85FS003A	85F9003A
				6 ft. / 1.83 m.	85MS006A	85M9006A	85FS006A	85F9006A
				12 ft. / 3.66 m.	85MS012A	85M9012A	85FS012A	85F9012A
				15 ft. / 3.66 m.	85MS015A	85M9015A	85FS015A	85F9015A
				20 ft. / 6.10 m.	85MS020A	85M9020A	85FS020A	85F9020A
6	<b>MALE</b>  <b>FEMALE</b> 	8A / 600VAC	1- White 2- Red 3- Green 4- Orange 5- Black 6- Blue	3 ft. / 0.91 m.	86MS003A	86M9003A	86FS003A	86F9003A
				6 ft. / 1.83 m.	86MS006A	86M9006A	86FS006A	86F9006A
				12 ft. / 3.66 m.	86MS012A	86M9012A	86FS012A	86F9012A
				15 ft. / 3.66 m.	86MS015A	86M9015A	86FS015A	86F9015A
				20 ft. / 6.10 m.	86MS020A	86M9020A	86FS020A	86F9020A



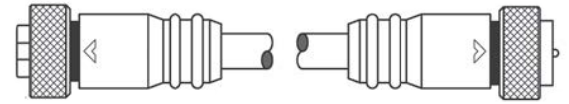
# Selection Guide

## 6B-12 Pole, Male & Female – Straight & 90°

Poles	Face View	Electrical Rating	Wiring Code	Overall Length (ft./m.)	MINI-SYNC Straight Male	MINI-SYNC Male 90°	MINI-SYNC Straight Female	MINI-SYNC Female 90°
6B		8A / 600VAC	1- White 2- Red 3- Green 4- Black 5- Orange 6- Blue	3 ft. / 0.91 m.	86BMS003A	86BM9003A	86BFS003A	86BF9003A
				6 ft. / 1.83 m.	86BMS006A	86BM9006A	86BFS006A	86BF9006A
				12 ft. / 3.66 m.	86BMS012A	86BM9012A	86BFS012A	86BF9012A
				15 ft. / 3.66 m.	86BMS015A	86BM9015A	86BFS015A	86BF9015A
				20 ft. / 6.10 m.	86BMS020A	86BM9020A	86BFS020A	86BF9020A
7		7A / 600VAC	1- White 2- Red 3- Green 4- Black 5- Orange 6- Blue 7- Green	3 ft. / 0.91 m.	87MS003A	87M9003A	87FS003A	87F9003A
				6 ft. / 1.83 m.	87MS006A	87M9006A	87FS006A	87F9006A
				12 ft. / 3.66 m.	87MS012A	87M9012A	87FS012A	87F9012A
				15 ft. / 3.66 m.	87MS015A	87M9015A	87FS015A	87F9015A
				20 ft. / 6.10 m.	87MS020A	87M9020A	87FS020A	87F9020A
8		7A / 600VAC	1- White 2- Red 3- Green 4- Black 5- Orange 6- Blue 7- Green 8- White-Blk.Tr.	3 ft. / 0.91 m.	88MS003A	88M9003A	88FS003A	88F9003A
				6 ft. / 1.83 m.	88MS006A	88M9006A	88FS006A	88F9006A
				12 ft. / 3.66 m.	88MS012A	88M9012A	88FS012A	88F9012A
				15 ft. / 3.66 m.	88MS015A	88M9015A	88FS015A	88F9015A
				20 ft. / 6.10 m.	88MS020A	88M9020A	88FS020A	88F9020A
9		7A / 600VAC	1- Orange 2- Blue 3- Red-Blk.Tr. 4- Green-Blk.Tr. 5- White 6- Red 7- Green 8- White-Blk.Tr. 9- Black	3 ft. / 0.91 m.	89MS003A	89M9003A	89FS003A	89F9003A
				6 ft. / 1.83 m.	89MS006A	89M9006A	89FS006A	89F9006A
				12 ft. / 3.66 m.	89MS012A	89M9012A	89FS012A	89F9012A
				15 ft. / 3.66 m.	89MS015A	89M9015A	89FS015A	89F9015A
				20 ft. / 6.10 m.	89MS020A	89M9020A	89FS020A	89F9020A
10		7A / 600VAC	1- Orange 2- Blue 3- White-Blk.Tr. 4- Red-Blk.Tr. 5- Green-Blk.Tr. 6- Orange-Blk.Tr. 7- Red 8- Green 9- Black 10- White	3 ft. / 0.91 m.	810MS003A	810M9003A	810FS003A	810F9003A
				6 ft. / 1.83 m.	810MS006A	810M9006A	810FS006A	810F9006A
				12 ft. / 3.66 m.	810MS012A	810M9012A	810FS012A	810F9012A
				15 ft. / 3.66 m.	810MS015A	810M9015A	810FS015A	810F9015A
				20 ft. / 6.10 m.	810MS020A	810M9020A	810FS020A	810F9020A
12		7A / 600VAC	1- Orange 2- Blue 3- White-Blk.Tr. 4- Red-Blk.Tr. 5- Green-Blk.Tr. 6- Orange-Blk.Tr. 7- Blue-Blk.Tr. 8- Black-Wht.Tr. 9- Green 10- Red 11- White 12- Black	3 ft. / 0.91 m.	812MS003A	812M9003A	812FS003A	812F9003A
				6 ft. / 1.83 m.	812MS006A	812M9006A	812FS006A	812F9006A
				12 ft. / 3.66 m.	812MS012A	812M9012A	812FS012A	812F9012A
				15 ft. / 3.66 m.	812MS015A	812M9015A	812FS015A	812F9015A
				20 ft. / 6.10 m.	812MS020A	812M9020A	812FS020A	812F9020A

# Selection Guide

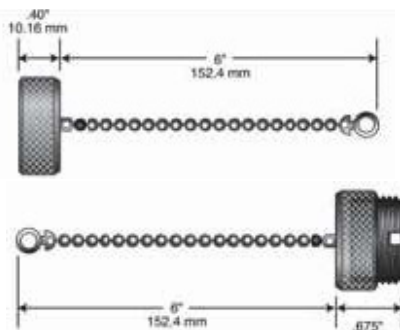
## PVC Cable Assemblies



Poles	Face View	Electrical Rating	Wiring Code	Overall Length (ft./m.)	MINI-SYNC Male/Female Straight	MINI-SYNC Male 90°/Female Straight	MINI-SYNC Male 90°/Female 90°	MINI-SYNC Female 90°/Straight Male
2		13A / 600VAC	1- White 2- Black	3 ft. / 0.91 m.	82FMS003A	82M9FS003A	82F9M9003A	82F9MS003A
				6 ft. / 1.83 m.	82FMS006A	82M9FS006A	82F9M9006A	82F9MS006A
				12 ft. / 3.66 m.	82FMS012A	82M9FS012A	82F9M9012A	82F9MS012A
				15 ft. / 3.66 m.	82FMS015A	82M9FS015A	82F9M9015A	82F9MS015A
				20 ft. / 6.10 m.	82FMS020A	82M9FS020A	82F9M9020A	82F9MS020A
3		13A / 600VAC	1- Green 2- Black 3- White	3 ft. / 0.91 m.	83FMS003A	83M9FS003A	83F9M9003A	83F9MS003A
				6 ft. / 1.83 m.	83FMS006A	83M9FS006A	83F9M9006A	83F9MS006A
				12 ft. / 3.66 m.	83FMS012A	83M9FS012A	83F9M9012A	83F9MS012A
				15 ft. / 3.66 m.	83FMS015A	83M9FS015A	83F9M9015A	83F9MS015A
				20 ft. / 6.10 m.	83FMS020A	83M9FS020A	83F9M9020A	83F9MS020A
4		10A / 600VAC	1- Black 2- White 3- Red 4- Green	3 ft. / 0.91 m.	84FMS003A	84M9FS003A	84F9M9003A	84F9MS003A
				6 ft. / 1.83 m.	84FMS006A	84M9FS006A	84F9M9006A	84F9MS006A
				12 ft. / 3.66 m.	84FMS012A	84M9FS012A	84F9M9012A	84F9MS012A
				15 ft. / 3.66 m.	84FMS015A	84M9FS015A	84F9M9015A	84F9MS015A
				20 ft. / 6.10 m.	84FMS020A	84M9FS020A	84F9M9020A	84F9MS020A
5		8A / 600VAC	1- White 2- Red 3- Green 4- Orange 5- Black	3 ft. / 0.91 m.	85FMS003A	85M9FS003A	85F9M9003A	85F9MS003A
				6 ft. / 1.83 m.	85FMS006A	85M9FS006A	85F9M9006A	85F9MS006A
				12 ft. / 3.66 m.	85FMS012A	85M9FS012A	85F9M9012A	85F9MS012A
				15 ft. / 3.66 m.	85FMS015A	85M9FS015A	85F9M9015A	85F9MS015A
				20 ft. / 6.10 m.	85FMS020A	85M9FS020A	85F9M9020A	85F9MS020A
6		8A / 600VAC	1- White 2- Red 3- Green 4- Orange 5- Black 6- Blue	3 ft. / 0.91 m.	86MS003A	86M9003A	86FS003A	86F9003A
				6 ft. / 1.83 m.	86MS006A	86M9006A	86FS006A	86F9006A
				12 ft. / 3.66 m.	86MS012A	86M9012A	86FS012A	86F9012A
				15 ft. / 3.66 m.	86MS015A	86M9015A	86FS015A	86F9015A
				20 ft. / 6.10 m.	86MS020A	86M9020A	86FS020A	86F9020A

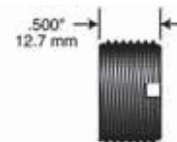
## Wire Management Accessories

### Closure Caps for Plugs & Receptacles



# of Poles	Plugs	Receptacles
2, 3, 4, 5, or 6 (A Size)	826AETCC	826AITCC
6 (B Size), 7, or 8	86B8ETCC	86B8ETCC
9, 10, or 12v	8912ETCC	8912ITCC

### Adapter for Joining 2 Cable Assemblies

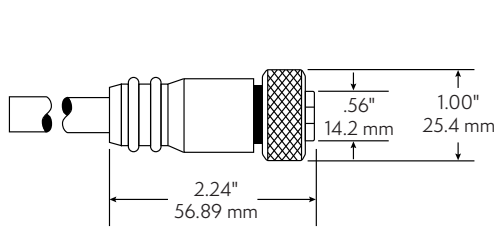


# of Poles	Plugs
2, 3, 4, 5, or 6 (A Size)	826AJAD
6 (B Size), 7, or 8	86B8JAD
9, 10, or 12	8912JAD

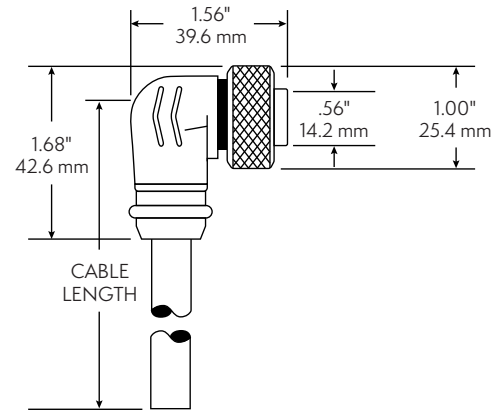
# Mini-Sync™ Dimensions

## 2-6 Pole, Male & Female

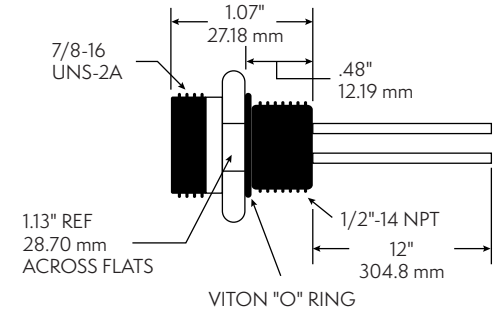
### Straight Connector



### 90° Connector

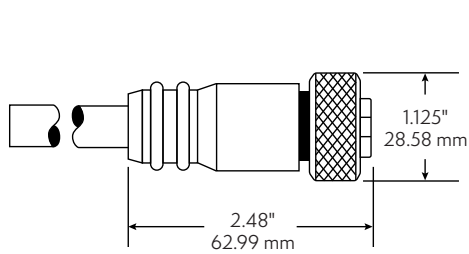


### Receptacle

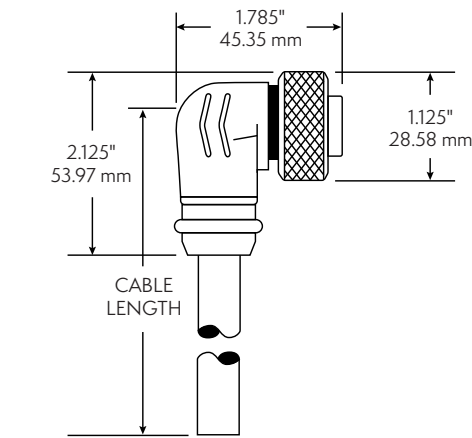


## 6B-8 Pole, Male & Female

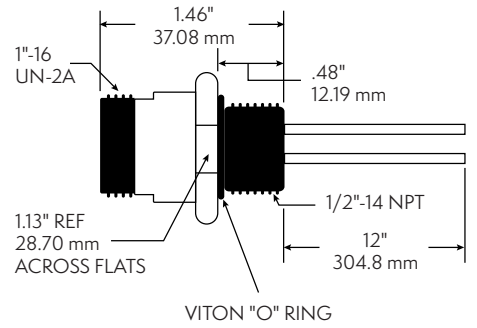
### Straight Connector



### 90° Connector

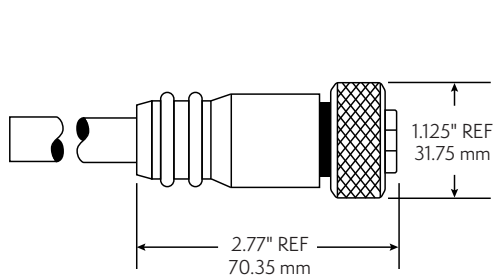


### Receptacle

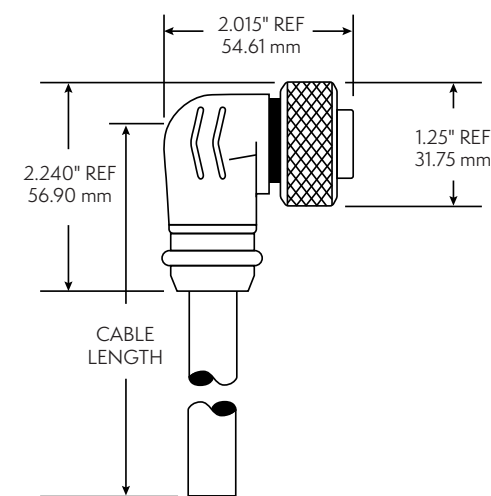


## 9-12 Pole, Male & Female

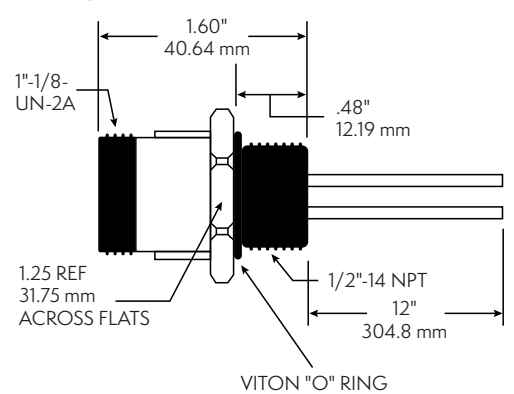
### Straight Connector



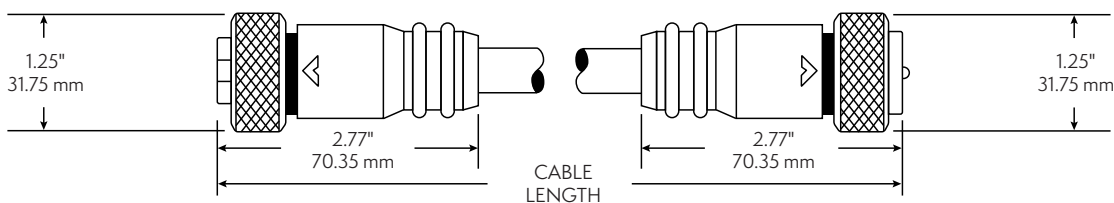
### 90° Connector



### Receptacle



## PVC Cable Assemblies, Male & Female Corset





# MICRO-SYNC™

## Selection Guide Overview



### Single Key (DC) and Dual Key (AC) – Male & Female, Straight & 90° / Cable Assemblies

Materials	
Body	PVC
"O" Ring	Nitrile Rubber
Contact Carrier	Zytel ST801
Contact	Brass, Gold Plated over Nickel
Coupling Nut	Machined Aluminum, Clear Anodized
Cable #*	#22 AWG PVC 26 x #36 stranding, 105°C, or #18 AWG PVC 41 x #34 stranding, 105°C
Certifications	UL Recognized, CSA Certified
Cable Diameters	#22 AWG PVC w/o braid 2/C-.17" 3/C-.18" 4/C-.19" 5/C-.21" 6/C-.22"
Electrical	
Voltage Rating	300V, AC & DC
Current Rating	#22 AWG 2 to 5 Pole – 4A, 6 Pole – 3A, #18 AWG – 5A
Contact Resistance	<5m Ω
Environmental	
Protection	IP68, NEMA 6P
Operating Temp	-20°C to 105°C

### Single Key (DC) and Dual Key (AC) – Receptacles

Materials	
Insert Materials	Zytel ST801
"O" Ring	Nitrile Rubber
Contact	Brass, Gold Plated over Nickel
Shell	Machined Aluminum, Clear Anodized
Lock Nut	Plated Steel
Wire	#22 AWG PVC Insulated 26 x #36 stranding, 80°C
Electrical	
Voltage Rating	300V, AC & DC
Current Rating	#22 AWG 2 to 5 Pole – 4A, 6 Pole – 3A, #18 AWG – 5A
Contact Resistance	<5m Ω
Environmental	
Protection	IP68, NEMA 6P
Operating Temp	-20°C to 105°C

\*Consult the factory for custom wire length and a full range of wire management product accessories

\*\* Stainless steel available

# Selection Guide

## Single Key (DC), Receptacles



Poles	Face View	Electrical Rating	Wiring Code	Overall Length (m./ft.)	MICRO-SYNC DC Male 1/2" NPT	MICRO-SYNC DC Male M14 x 1	MICRO-SYNC DC Female 1/4" NPT	MICRO-SYNC DC Female Back Panel
3		4A / 300VDC	1- Brown 2- N/A 3- Blue 4- Black	12 inches	93MRK2	93MRK4	93FRK1	93FRK3
4		4A / 300VDC	1- Brown 2- White	12 inches	94MRK2	94MRK4	94FRK1	94FRK3
5		4A / 300VDC	1- Brown 2- White 3- Blue 4- Black 5- Grey	12 inches	95MRK2	95MRK4	95FRK1	95FRK3

## Single Key (DC), Male & Female – Straight & 90°



Poles	Face View	Electrical Rating	Wiring Code	Overall Length (m./ft.)	MICRO-SYNC Straight Male	MICRO-SYNC Male 90°	MICRO-SYNC Straight Female	MICRO-SYNC Female 90°
3		4A / 300VDC	1- Brown 2- N/A 3- Blue 4- Black	2 m. / 6.6 ft.	93MSE2G	93M9E2G	93FS2G	93F92G
				4 m. / 13.1 ft.	93MSE4G	93M9E4G	93FS4G	93F94G
				5 m. / 16.3 ft.	93MSE5G	93M9E5G	93FS5G	93F95G
4		4A / 300VDC	1- Brown 2- White 3- Blue 4- Black	2 m. / 6.6 ft.	94MSE2G	94M9E2G	94FS2G	94F92G
				4 m. / 13.1 ft.	94MSE4G	94M9E4G	94FS4G	94F94G
				5 m. / 16.3 ft.	94MSE5G	94M9E5G	94FS5G	94F95G
5		4A / 300VDC	1- Brown 2- White 3- Blue 4- Black 5- Grey	3 ft. / 0.91 m.	95MSE2G	95M9E2G	95FS2G	95F92G
				6 ft. / 1.83 m.	95MSE4G	95M9E4G	95FS4G	95F94G
				12 ft. / 3.66 m.	95MSE5G	95M9E5G	95FS5G	95F95G

## Single Key (DC), Cable Assemblies



Poles	Face View	Electrical Rating	Wiring Code	Overall Length (ft./m.)	MICRO-SYNC DC Female/Male Straight
3		4A / 300VDC	1- Brown 2- N/A 3- Blue 4- Black	6 ft. / 1.8 m	93FMSE2G
				12 ft. / 3.6 m	93FMSE4G
				20 ft / 6.1 m	93FMSE5G
4		4A / 300VDC	1- Brown 2- White 3- Blue 4- Black	6 ft. / 1.8 m	94FMSE2G
				12 ft. / 3.6 m	94FMSE4G
				20 ft / 6.1 m	94FMSE5G
5		4A / 300VDC	1- Brown 2- White 3- Blue 4- Black 5- Grey	6 ft. / 1.8 m	95FMSE2G
				12 ft. / 3.6 m	95FMSE4G
				20 ft / 6.1 m	95FMSE5G

# Selection Guide

## Dual Key (AC), Receptacles



Poles	Face View	Electrical Rating	Wiring Code	Overall Length (ft./m.)	MICRO-SYNC Straight Male	MICRO-SYNC Male 90°	MICRO-SYNC Straight Female	MICRO-SYNC Female 90°
2		4A / 300VAC	1- Brown 2- Blue	12 Inches	72MRK2	72MRK1	72FRK1	72FRK3
3		4A / 300VAC	1- Brown 2- Red/Black 3- Red/White	12 Inches	73MRK2	73MRK1	73FRK1	73FRK3
4		4A / 300VAC	1- Red/Black 2- Red/White 3- Red 4- Green	12 Inches	74MRK2	74MRK1	74FRK1	74FRK3
5		4A / 300VAC	1- Red/White 2- Red 3- Green 4- Red/Yellow 5- Red/Black	12 Inches	75MRK2	75MRK1	75FRK1	75FRK3
6		4A / 300VAC	1- Red/White 2- Red 3- Green 4- Red/Yellow 5- Red/Black 6- Red/Blue	12 Inches	76MRK2	76MRK1	76FRK1	N/A

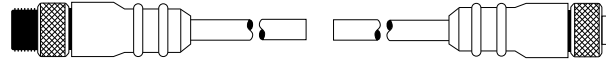
## Dual Key (AC), Male & Female – Straight & 90°



Poles	Face View	Electrical Rating	Wiring Code	Overall Length (ft./m.)	MICRO-SYNC Straight Male	MICRO-SYNC Male 90°	MICRO-SYNC Straight Female	MICRO-SYNC Female 90°
2		4A / 300VAC	1- Brown 2- Blue	6 ft. / 1.8 m.	72MSE006F	72M9E006F	72FS006F	72F9006F
				12 ft. / 3.6 m.	72MSE012F	72M9E012F	72FS012F	72F9012F
				20 ft. / 6.1 m.	72MSE020F	72M9E020F	72FS020F	72F9020F
3		4A / 300VAC	1- Brown 2- Red/Black 3- Red/White	6 ft. / 1.8 m.	73MSE006F	73M9E006F	73FS006F	73F9006F
				12 ft. / 3.6 m.	73MSE012F	73M9E012F	73FS012F	73F9012F
				20 ft. / 6.1 m.	73MSE020F	73M9E020F	73FS020F	73F9020F
4		4A / 300VAC	1- Red/Black 2- Red/White 3- Red 4- Green	6 ft. / 1.8 m.	74MSE006F	74M9E006F	74FS006F	74F9006F
				12 ft. / 3.6 m.	74MSE012F	74M9E012F	74FS012F	74F9012F
				20 ft. / 6.1 m.	74MSE020F	74M9E020F	74FS020F	74F9020F
5		4A / 300VAC	1- Red/White 2- Red 3- Green 4- Red/Yellow 5- Red/Black	6 ft. / 1.8 m.	75MSE006F	75M9E006F	75FS006F	75F9006F
				12 ft. / 3.6 m.	75MSE012F	75M9E012F	75FS012F	75F9012F
				20 ft. / 6.1 m.	75MSE020F	75M9E020F	75FS020F	75F9020F
6		4A / 300VAC	1- Red/White 2- Red 3- Green 4- Red/Yellow 5- Red/Black 6- Red/Blue	6 ft. / 1.8 m.	76MSE006F	76M9E006F	76FS006F	76F9006F
				12 ft. / 3.6 m.	76MSE012F	76M9E012F	76FS012F	76F9012F
				20 ft. / 6.1 m.	76MSE020F	76M9E020F	76FS020F	76F9020F

# Selection Guide

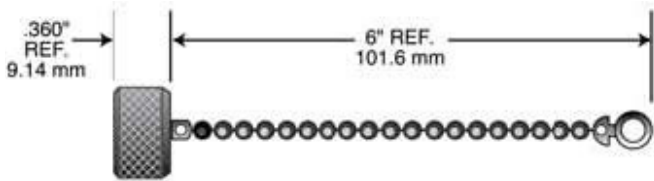
## Dual Key (AC), Cable Assemblies



Poles	Face View	Electrical Rating	Wiring Code	Overall Length (ft./m.)	MICRO-SYNC DC Female/Male Straight
2		4A / 300VAC	1- Brown 2- Blue	6 ft. / 1.8 m	72FMSE006F
				12 ft. / 3.6 m	72FMSE012F
				20 ft. / 6.1 m	72FMSE020F
3		4A / 300VAC	1- Brown 2- N/A 3- Blue 4- Black	6 ft. / 1.8 m	73FMSE006F
				12 ft. / 3.6 m	73FMSE012F
				20 ft. / 6.1 m	73FMSE020F
4		4A / 300VAC	1- Brown 2- White 3- Blue 4- Black 5- Grey	6 ft. / 1.8 m	74FMSE006F
				12 ft. / 3.6 m	74FMSE012F
				20 ft. / 6.1 m	74FMSE020F
5		4A / 300VAC	1- Brown 2- White 3- Blue 4- Black 5- Grey	6 ft. / 1.8 m	75FMSE006F
				12 ft. / 3.6 m	75FMSE012F
				20 ft. / 6.1 m	75FMSE020F
6		4A / 300VAC	1- Red/White 2- Red 3- Green 4- Red/Yellow 5- Red/Black 6- Red/Blue	6 ft. / 1.8 m	76FMSE006F
				12 ft. / 3.6 m	76FMSE012F
				20 ft. / 6.1 m	76FMSE020F

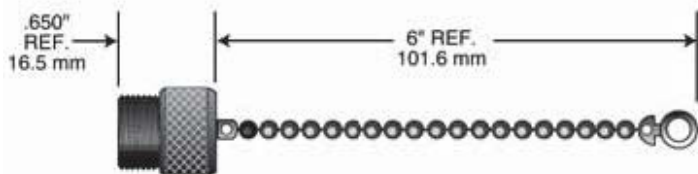
## Wire Management Accessories

### Closure Caps for Plugs and Receptacles with *Internal* Threads



Single Key (M12)	Dual Key (1/2-20)
9ETSKCC	7ETDKCC

### Closure Caps for Plugs and Receptacles with *External* Threads

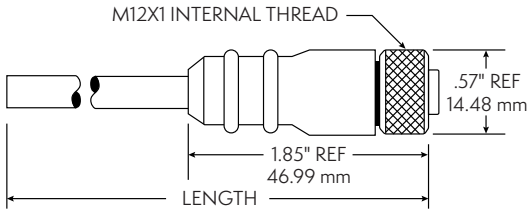


Single Key (M12)	Dual Key (1/2-20)
9ITSKCC	9ITSKCC

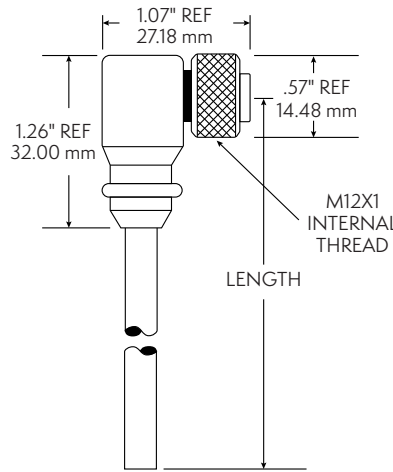
# Micro-Sync™ Dimensions

## Single Key (DC), Male & Female – Straight & 90°

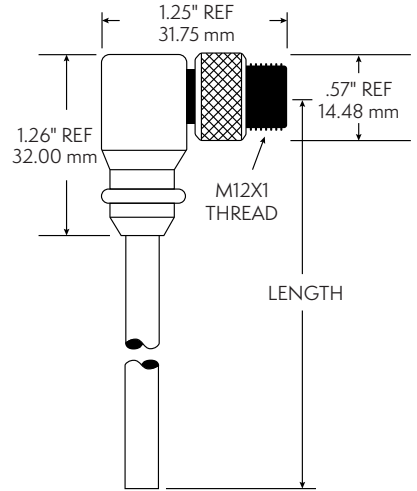
### Female Straight



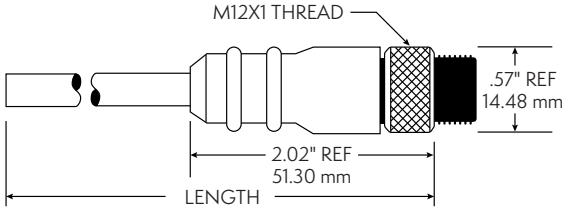
### Female 90°



### Male 90°

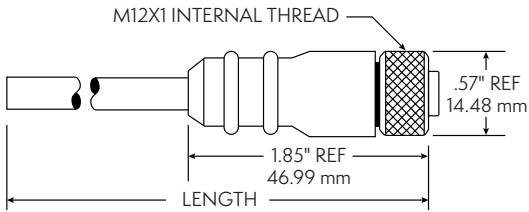


### Male Straight

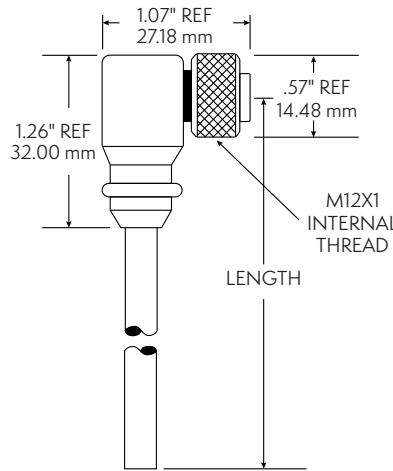


## Dual Key (AC), Male & Female – Straight & 90°

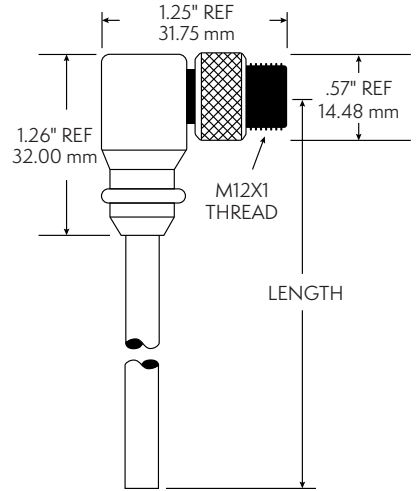
### Female Straight



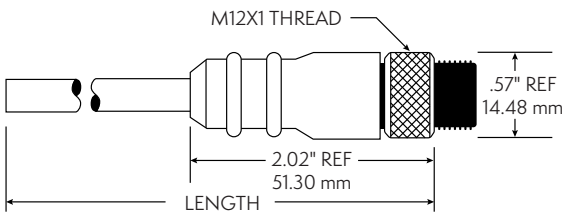
### Female 90°



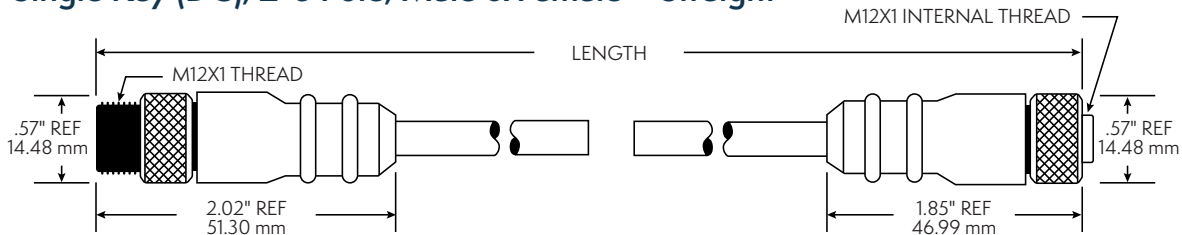
### Male 90°



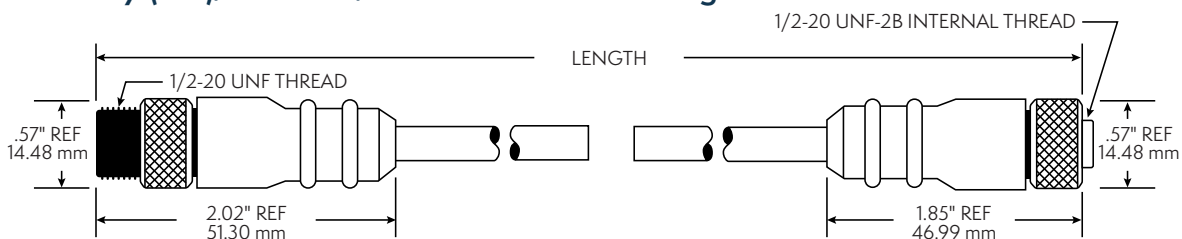
### Male Straight



## Single Key (DC), 2-6 Pole, Male & Female – Straight



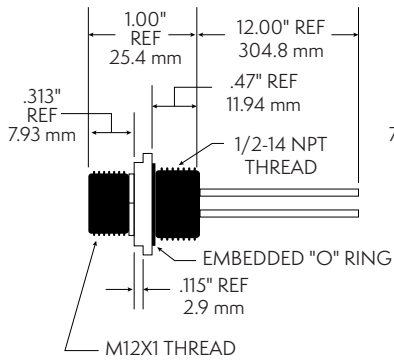
## Dual Key (AC), 2-6 Pole, Male & Female – Straight



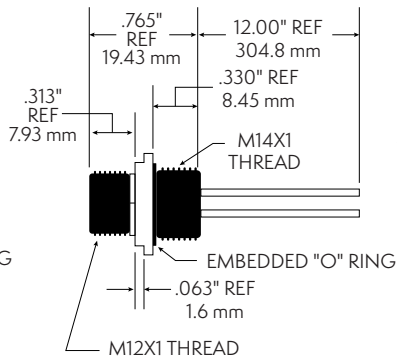
# Micro-Sync™ Dimensions

## Single Key (DC), Male Receptacles

1/2" NPT

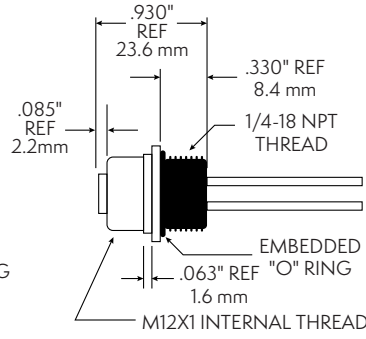


M14x1

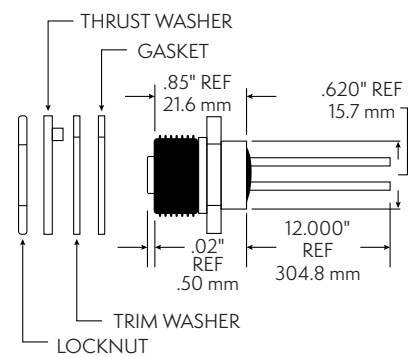


## Single Key (DC), Female Receptacles

1/4" NPT

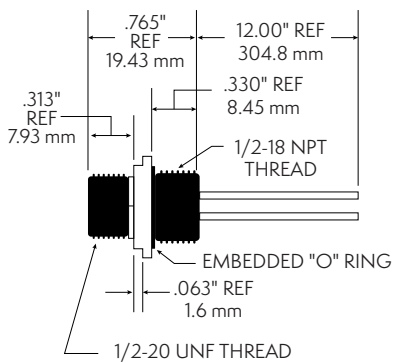


Back Panel Mount

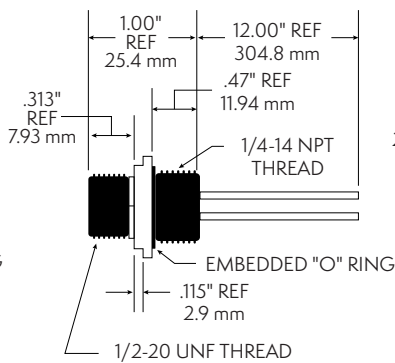


## Dual Key (AC), Male Receptacles

1/4" NPT

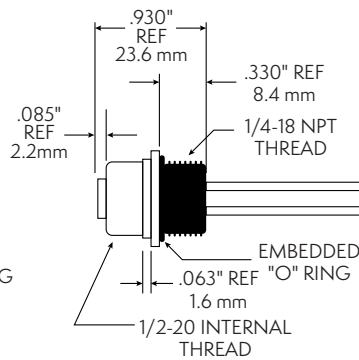


1/2" NPT

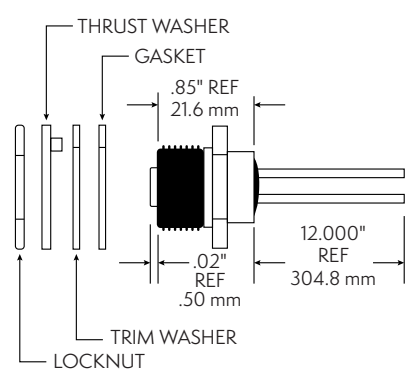


## Dual Key (AC), Female Receptacles

1/4" NPT



Back Panel Mount



## Custom Device Ordering Guide

### Step 1: Connector Type

Choose one.

Mini-Sync

Single - AC Only

Micro-Sync

Single - DC

Dual - AC

### Step 2: Configuration Style

Choose one for each.

Configuration Style – End 1

Female: Straight (FS)

Male: Straight (MS)

Female: 90° (F9)

Male: 90° (M9)

Configuration Style – End 2 (if applicable)

Female: Straight (FS)

Male: Straight (MS)

Female: 90° (F9)

Male: 90° (M9)

Number of Poles (1-12) \_\_\_\_\_

### Step 3: Cable Length (ft.)

Choose one.

3 ft.

15 ft.

6 ft.

20 ft.

12 ft.

Other: \_\_\_\_\_

### Step 4: Amperage/Voltage

Choose one.

600VAC

300V, AC & DC

7A

4A

8A

10A

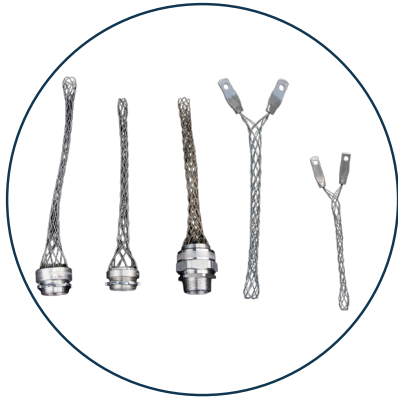
13A

### Step 5: Other

Notes: \_\_\_\_\_

## Related Products:

Click on an image for more product information.



Wire Mesh Strain Relief



Industrial Grade Cable Reels



GFCI Solutions



Perma-Link Plugs & Connectors



Perma-Grip Plugs & Connectors



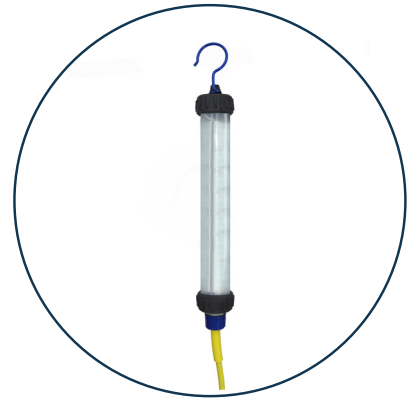
Perma-Tite Plugs & Connectors



7 & 9 Series Handlamp



70-N Vapor-Gard® Series Handlamp



HL Series Handlamp

SCAN HERE



Manufacturing Electrical Safety  
Products for over 100 years.

4323 Hamann Parkway  
Willoughby, OH 44094, USA

1-800-ERICSON  
info@ericson.com  
L1000901A