

# 2600 Series Hazardous Location Stringlight



## Standard Features:

- cETLus listed
- Class I & II Div 1 & 2, Groups C, D, F & G
- NEMA 4X Rated, and Wet location rated
- Copper-free, cast aluminum, anti-spark guard
- High-impact tempered borosilicate glass globe
- Heat, chemical and impact resistant, glass reinforced handle
- Cord restraint seal system provides flex and water resistance
- Accommodates #16/3 to #14/3 in various types of cord jackets
- Stringlights are available in 65' and 100 ft. cord lengths
- -20°C to 40°C Ambient

## Applications:

- Waste / Water treatment
- Grain elevators
- Mining
- Oil refineries
- Coal Barns/Fuel storage
- Hazardous locations
- Aerospace
- Shipyards



## Unique Features:



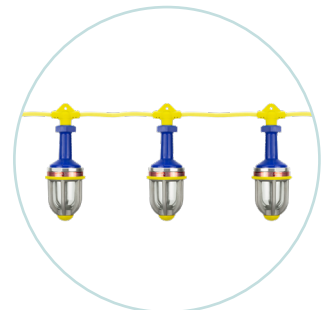
Heavy duty,  
copper-free, cast  
aluminum guard.



Rubber bumpers  
protects guard and  
outer case.



Provided with  
enclosed rated  
LED Lamp.

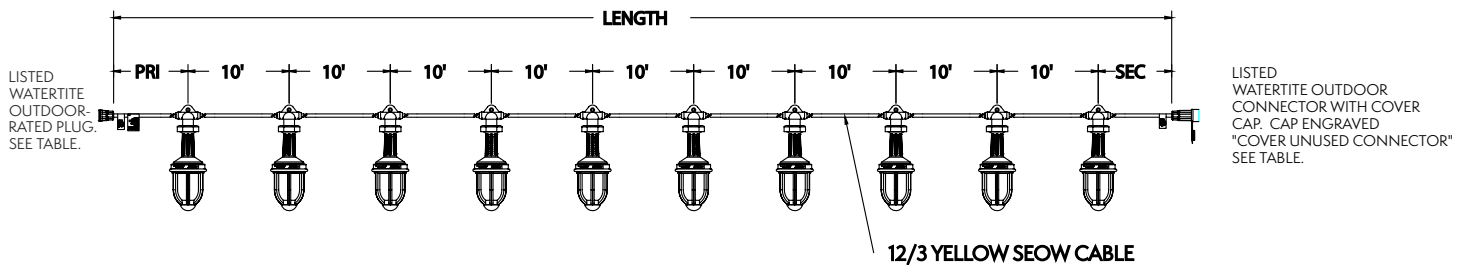


Available in  
65' and 100 ft  
string lengths.

# Selection Guide:

Part Number	Total Length	# of Lamps	Bulb Type	Socket Spacing	Lead Cord Length	Supply Voltage	Plug
12365LEDXPI-BL	65 ft.	5	10W LED	10 ft.	25 ft.	120VAC	Blunt
12365LEDXPI-1	65 ft.	5	10W LED	10 ft.	25 ft.	120VAC	1510-PW6PL
12365LEDXPI-1-XP	65 ft.	5	10W LED	10 ft.	25 ft.	120VAC	UGP-15231
123100LEDXPI-BL	100 ft.	10	10W LED	8.33 ft.	25 ft.	120VAC	Blunt
123100LEDXPI-1	100 ft.	10	10W LED	8.33 ft.	25 ft.	120VAC	1510-PW6PL
123100LEDXPI-1-XP	100 ft.	10	10W LED	8.33 ft.	25 ft.	120VAC	UGP-15231
<b>Low Voltage</b>							
123100LEDXPI-5L	100 ft.	5	7W LED	12.5 ft.	25 ft.	12VAC	UPG-15231
123100LEDXPI-6L	100 ft.	6	7W LED	10 ft.	25 ft.	12VAC	UPG-15231
123100LEDXPI-5L-16	100 ft.	5	7W LED	12.5 ft.	25 ft.	12VAC	UPG-15232
123100LEDXPI-6L-16	100 ft.	6	7W LED	10 ft.	25 ft.	12VAC	UPG-15232

## Product Specifications:



## 2600 Series Replacement Parts:

Part Number	Replacement Part	Image Reference
2601	Guard & Globe Assembly	A
2603	Handle	B
2604	Cord strain relief kit	C
2605	Replacement base & Socket assembly	D
2612	Replacement Globe Bumper	E
SLBLED-60	11 watt 120VAC LED Lamp	F
SLBLED-12	7.3 watt 12VAC LED Lamp	F



# Portable Low Voltage Transformers:

- Designed to meet NEC and OSHA Code Requirements for LV Lighting when used in Damp or Confined Space Applications.
- Transformers, in corrosion resistant, impact resistant non-metallic enclosures, convert 120vac to 12vac for areas where 12v is required.
- Available in standard N5-15 receptacles or non-nema CF style for fixtures with dedicated 12vac lamps.
- Portable transformers are available with 2 and 4 receptacles providing 12vac power. Each Receptacle is individually overload protected.
- Portable Transformer is provided with standard N5-15, 120V Plug.

Part Number	Description	Cord length	Plug	Transformer	Receptacles	Circuit Breakers
1941-12-C1D2*	XP Portable transformer	6' 14/3 SOW yellow	Explosion Proof N5-15 Style**	120V to 12V 400VA	4 Killark UGRP-20231F**	None
1941-12-C1D2-16*	XP Portable transformer	6' 14/3 SOW yellow	Explosion Proof N5-15 Style**	120V to 12V 400VA	4 Killark UGRP-20232F**	None

\* cETLus Listed.

\*\* Other hazardous location, plug and receptacle configurations available.



1941-12- C1D2

## Related Products:



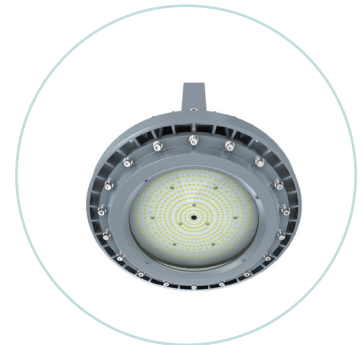
**70N Series**  
Vapor Proof Handlamp



**SL HAZ**  
Class I, Div II Stringlight



**1009**  
Class I, Div II,  
Highbay/Flood



**1007**  
Class I, Div I, Highbay



Ericson Manufacturing Company  
4323 Hamann Parkway  
Willoughby, OH 44094, USA



1-800-374-2766  
info@ericson.com  
L1000514E