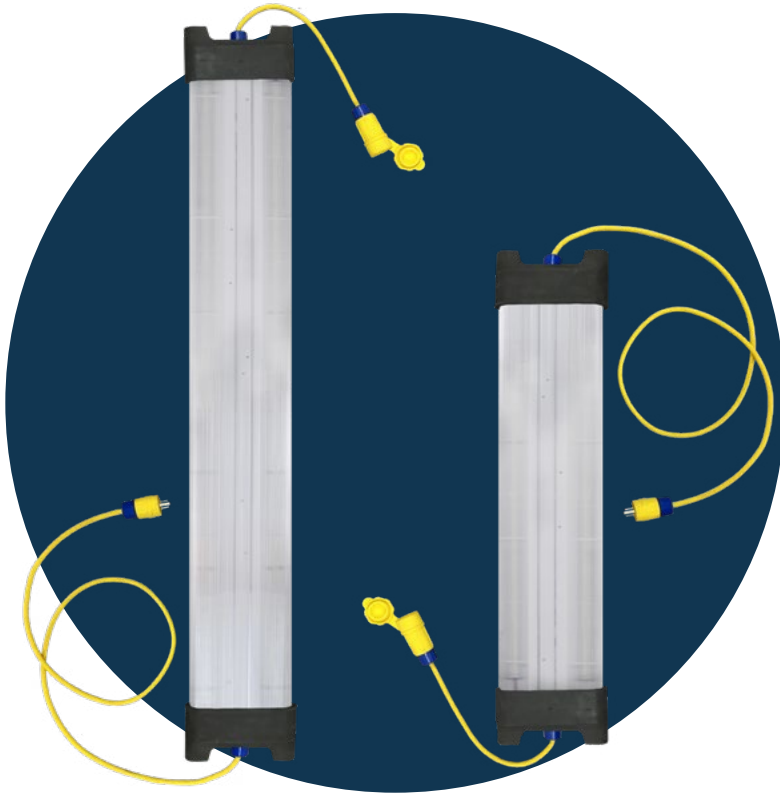


1239/1140 2 & 4' Linear LED Wide Area Fixtures

Jobsite Lighting



Standard Features:

- High efficient LED Array and Driver
- Lightweight, heavy duty and impact resistant material.
- Ends are designed for cable egress to prevent cable pinching when unit is storage or used in a vertical orientation
- Available Emergency drive and battery provides 10% of rated lumens for 90 minutes
- Battery provides egress light for 90 minutes minimum.
- Cool white and glare free LED for reduced eye stress.
- Made in USA

Applications:

- Portable Task Lighting
- Tunnel Lighting
- Temporary High-Bay Lighting
- Stairwells
- Utility Maintenance
- Areas requiring Emergency Egress
- Sporting Events



Unique Features:



Flexible web ceiling hanger.



Shatter resistant polycarbonate lens.



Optional floor stand. (Holds Two)



Durable indoor & outdoor construction.

1239 Selection Guide

	Part No.	Electrical Rating	Primary Cord Length (feet)	Secondary Cord Length (feet)	Primary Plug (NEMA)	Secondary Connector (NEMA)	Lumens	Color	Weight
Standard LED Lighting	1239-6-LED	120VAC, .71A, 85W	5 ft	None	5-15	None	12100	4000K	11.8 lbs.
	1239-6F-LED*	120VAC, .71A, 85W	5 ft	.5 ft	5-15	5-15	12100	4000K	12.6 lbs.
	1239-25-LED	120VAC, .71A, 85W	25 ft	None	5-15	None	12100	4000K	13.4 lbs.
	1239-25F-LED*	120VAC, .71A, 85W	25 ft	.5 ft	5-15	5-15	12100	4000K	15.2 lbs.
Emergency Egress Lighting	1239-6-LED-EL	120VAC, .54A, 65W	5 ft	None	5-15	None	8500	4000K	15.5 lbs.
	1239-6F-LED-EL*	120VAC, .71A, 85W	5 ft	.5 ft	5-15	5-15	8500	4000K	16.4 lbs.
	1239-25-LED-EL	120VAC, .54A, 65W	25 ft	None	5-15	None	8500	4000K	17.2 lbs.
	1239-25F-LED-EL*	120VAC, .54A, 65W	25 ft	.5 ft	5-15	5-15	8500	4000K	19 lbs.
Low Voltage	1239-6-LED-DC	12VDC, 50W	6 ft	None	CF	None	7100	4000K	15.25 lbs
	1239-6F-LED-DC**	12VDC, 50W	6 ft	.5 ft	CF	CF	7100	4000K	15.25 lbs
	1239-25-LED-DC	12VDC, 50W	25 ft	None	CF	None	7100	4000K	15.25 lbs
	1239-25F-LED-DC**	12VDC, 50W	25 ft	.5 ft	CF	CF	7100	4000K	15.25 lbs
	1239-50-LED-DC	12VDC, 50W	50 ft	None	CF	CF	7100	4000K	15.25 lbs
	1239-50F-LED-DC**	12VDC, 50W	50 ft	.5 ft	CF	CF	7100	4000K	15.25 lbs

* For versions designed for feed-thru applications, maximum 12A or 1500W electrical rating.

**For low voltage versions designed for feed-thru applications, maximum of 3 LV fixtures or 300W.

1140 Selection Guide

	Part No.	Electrical Rating	Primary Cord Length (feet)	Secondary Cord Length (feet)	Primary Plug (NEMA)	Secondary Connector (NEMA)	Lumens	Color	Weight
Standard LED Lighting	1140-4-LED	120VAC, 1.46A, 175W	5 ft.	None	5-15	None	23,900	4000K	20.7 lbs.
	1140-4F-LED*	120VAC, 1.46A, 175W	5 ft.	.5 ft.	5-15	5-15	23,900	4000K	21.5 lbs.
	1140-25-LED	120VAC, 1.46A, 175W	25 ft.	None	5-15	None	23,900	4000K	22.3 lbs.
	1140-25F-LED*	120VAC, 1.46A, 175W	25 ft.	.5 ft.	5-15	5-15	23,900	4000K	24.1 lbs.
Emergency Egress Lighting	1140-4-LED-EL	120VAC, 1.08A, 130W	5 ft.	None	5-15	None	16,800	4000K	24.4 lbs.
	1140-4F-LED-EL*	120VAC, 1.08A, 130W	5 ft.	.5 ft.	5-15	5-15	16,800	4000K	25.3 lbs.
	1140-25-LED-EL	120VAC, 1.08A, 130W	25 ft.	None	5-15	None	16,800	4000K	26.1 lbs.
	1140-25F-LED-EL*	120VAC, 1.08A, 130W	25 ft.	.5 ft.	5-15	5-15	16,800	4000K	27.9 lbs.

* For versions designed for feed-thru applications, maximum 12A or 1500W electrical rating.

1239/1140 Replacement Parts:

Part Number	Description	Image Reference
1239-TS	Tube Shield	A
1239-P-BLK	End cap with cord grip bushing. It can be used for the primary and secondary sides with feed-thru	B
1239-S-BLK	End cap without cord grip bushing. It can be used for the secondary side of base units only	C
1140-TS	Tube Shield	A
1140-P-BLK	End cap with cord grip bushing. Used for primary and secondary sides with feed-thru	B
1140-S-BLK	End cap without cord grip bushing. Used for secondary side of base units only	C

A



B



C



Accessories & Replacement Parts:

Part Number	Description	Image Reference
FS-PIVOT	Floor stand, pivot, 1239 series wide area fixtures.	A
FS-FOOT	Floor stand, single foot, 1239 series wide area fixtures.	B
1239-MAG	Magnet mount, 1239 series wide area fixtures.	C
1239-LS	Steel lanyard strap, 1239 series wide area fixture.	D
1140-MAG	Magnet mount, 1140 series wide area fixtures.	C
1140-LS	Steel lanyard strap, 1140 series wide area fixture.	D
1140-FS	Portable floor stand for 2, 1140 series wide area fixtures.	E

A



B



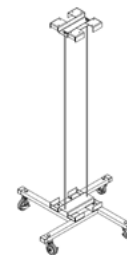
C



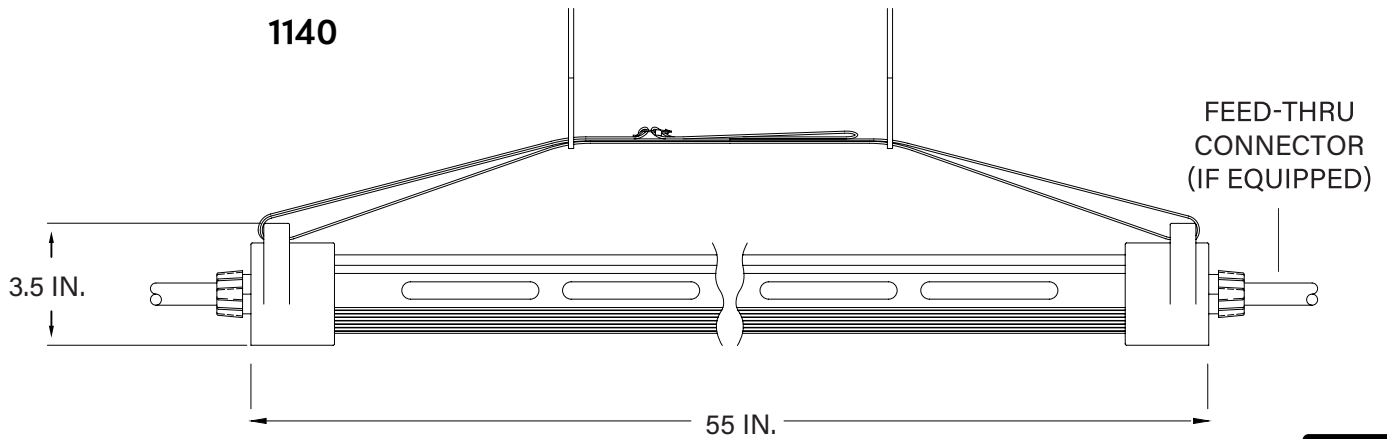
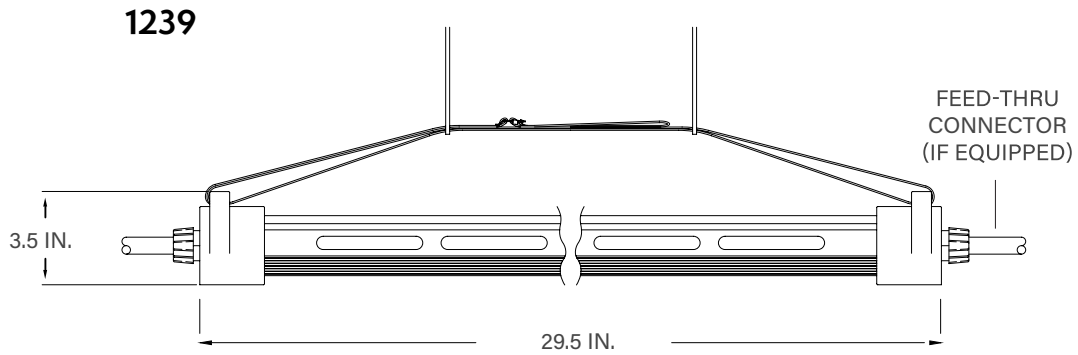
D



E



Product Dimensions:



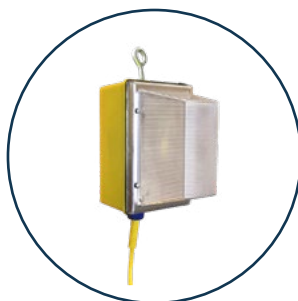
Related Products:

Click on an image or scan the QR code for more product information.

Learn More



[1000 Series](#)
[LED Industrial Work Light](#)



[1001 Series](#)
[LED Industrial Work Light](#)



[SL Series](#)
[LED Stringlight](#)



Ericson Manufacturing Company
4323 Hamann Parkway
Willoughby, OH 44094, USA



1-800-ERICSON
info@ericson.com
L1000871B

ericson.com