

Commercial & Industrial Cable Reel Solutions

Commercial & Industrial Grade, Industrial 3100-10000 Series
Hazardous Location, Motorized and Static Discharge Reels



ericson.com



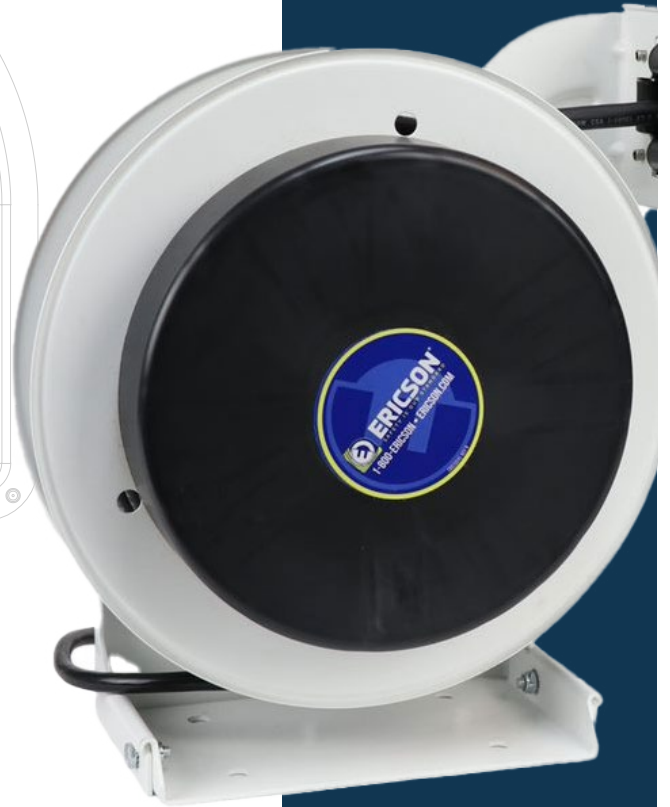
EXPERIENCE. INNOVATION. EXPERTISE.

Commercial & Industrial Cable Reels

Table of Contents

If viewing the digital catalog, click on a page to direct you there.

Ericson Introduction	3
How it all works together?	4
Retractable Cable Reels Overview	5
RCR - Retractable Ethernet CAT 6 Cord Reel	6
3123-40-TT - Retractable Cord Reel	8
F3100 Series - Industrial Grade Flex Rig	10
F3100 Series Accessories	14
4000-8000 Series - Industrial Grade Cable Reels Overview	15
4000-8000 Series Accessories	16
4000 Series - Industrial Grade Cord Reels	18-23
5000 Series - Industrial Grade Cord Reels	24-30
5000 Series Accessories	31
6000/7000 Series - Industrial Grade Cord Reels	33-39
6000/7000 Series Accessories	38
8000 Series - Hazardous Location Cord Reels	40-44
8000 Series Accessories	43-44
9000/10000 Series - Single and Dual Spring Motor Cable Reels	45-47
SDR Series - Static Discharge Grounding Reels	48-50
Build Your Own Cable Reel	51-53
Related Products	53
Notes	54-55





About Ericson Manufacturing

Founded in 1918 with over a century of innovation, experience and expertise has given Ericson the unique opportunity to offer the industry a comprehensive line of products, designed with exceptional worker safety in mind. Robust design and precision manufacturing set Ericson apart for quality products offering exceptionally long service life.

Ericson prides itself on building over 97% of it's products in the US and Canada, giving our customers a reliable and secure supply line.

Our custom engineered products are designed to meet critical customer requirements for their most challenging applications and exceed their expectations, for highly engineered quality built products.

Thank you for considering Ericson Manufacturing products.



How it works *together.*

For over **100 years**, Ericson has designed and engineered innovative products with a keen focus on worker safety. With decades of experience developing robust products for the most demanding applications, Ericson products deliver value through their exceptionally long service life and safety. Below is an illustration of how Ericson products All Work Together to deliver safe, reliable power and lighting to critical temporary applications.

① Jobsite Power

PTU

Power Transformation Units convert 480V or 600V power, to lower voltages used for portable tools and lighting.

② Jobsite Power

PDC/PDU

Power Distribution Unit provide local power with overload, open neutral protection and GFCI protection for 120, 240, or 208V receptacles.

③ Jobsite Lighting

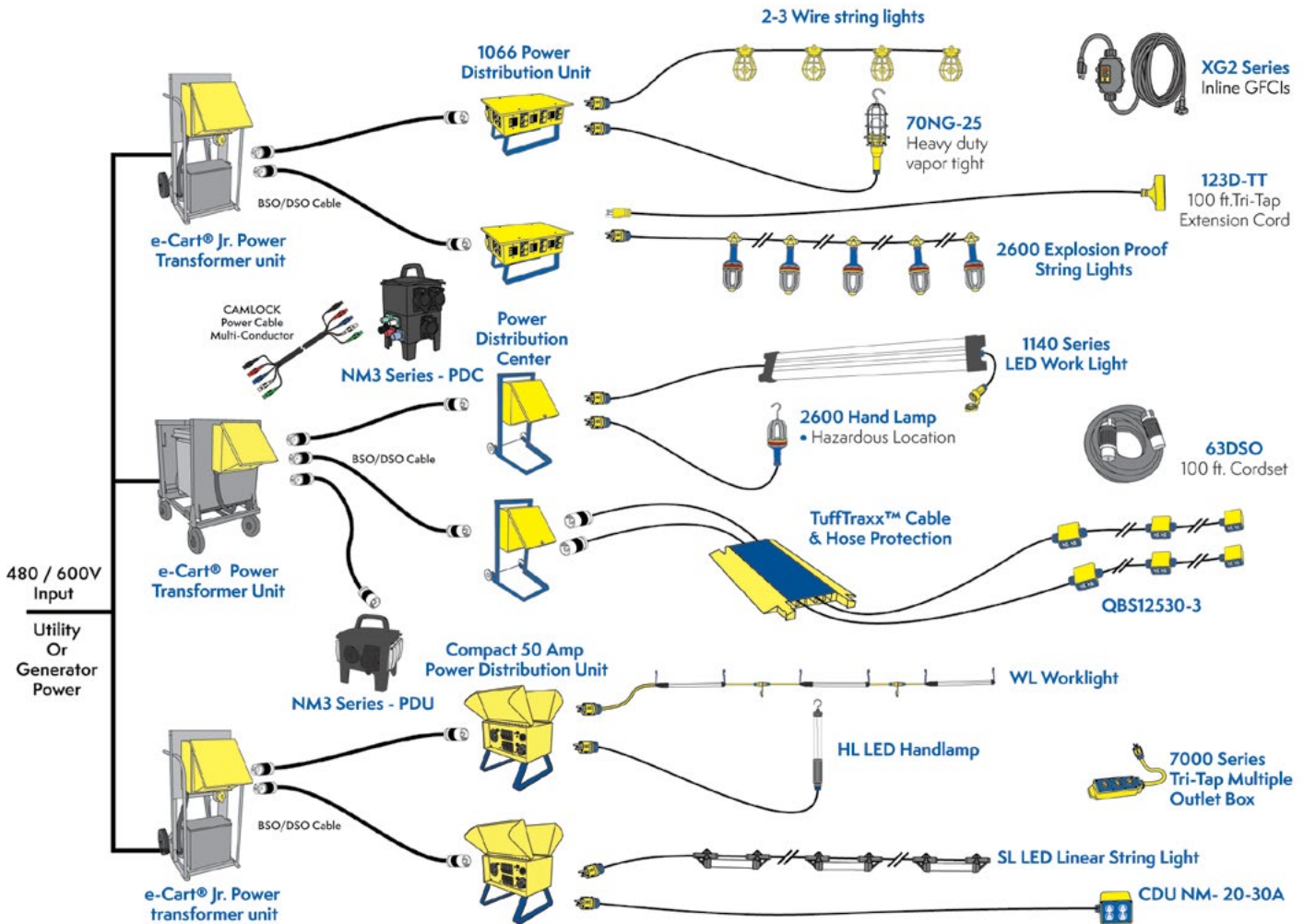
Lighting

Ericson provides a myriad of lighting solutions, from string lights and bay lights to hand lamps and hazardous area fixtures.

④ Portable Power

Cordsets

Factory assembled solutions provide safe, reliable NEC, and OSHA Code Compliant GFCI & AEGCP cordsets.



Retractable Cable Reels

Introduction



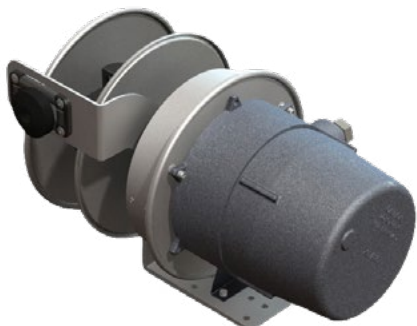
Commercial Grade: F3100 Series



- Ratchet style return with up to 50' vertical retraction
- White powder coated steel finish, black nylon hub (Flex Rig Series)
- Separate mounting base for easy installation & relocation
- Wide range of secondary power solutions
- Black nonmetallic, 40 ft, 12/3 with illuminated tri-tap (3123-40-TT)
- Category 6 reel. 20' of communication cable with RJ45 connector
- Meets Stringent requirements for cross talk and system noise suppression
- Powder coated steel enclosure with mounting feet

Industrial Grade: 4000-7000 Series

- NEMA 4 enclosed slip ring assembly for outdoor use
- Adjustable guide arm for varied mounting applications
- 4-roller guides for direct or lateral pull-out and return to minimize cable stress
- Wide range of primary connection and secondary power and lighting attachments
- Pivot base available for swivel applications



Hazardous Location: 8000 Series

- Easy ratched lock-out for constant tension and return
- 12 position adjustable guide arm for payout positioning
- Rugged, fabricated steel and cast aluminum construction
- Threaded cast aluminum slip ring enclosure
- 4-roller guides for direct or lateral pull-out and return to minimize cable stress
- Pivot base available for swivel applications

Heavy-Duty Motorized: 9000-10000 Series

- All-steel modular construction with yellow powder coated finish
- 345° adjustable, 4-roller guides for direct or lateral pull-out and return to minimize cable stress
- Lifetime lubricated spring motor canister with an exclusive quick change spring feature
- External spring torque adjustment
- Integrated junction box and spool support guard rails



Static Discharge: SDR Series

- Rugged all-steel construction
- Compact design
- Mounts in any position with spool perpendicular
- Ratchet and ball stop; ratchet can be locked out for "stretch" applications
- Available in blue and red housings

RCR-CAT6-20

Retractable Ethernet Cat 6 Cord Reel



Standard Features:

- UL/CSA Listed CAT6 Cable with RJ45 Modular Plugs
- Retractable, Tangle Free Compact Cable Storage for 20' of CAT6 Cable*
- Meets Stringent Specifications to Reduce Crosstalk and System Noise
- Rugged Powder Coated Enclosure with Attached 7.5" to 9" Mounting Bracket
- Mounts Horizontally or Vertically with Included Hardware

**Consult factory for custom cable lengths.*

Applications:

- Retail
- Offices
- Warehouse
- Manufacturing



Unique Features:



Horizontal or Vertical Mounting



20' Cat 6 Cable with Ball stop and Ethernet plugs on primary and secondary connections



Rugged Steel Enclosure

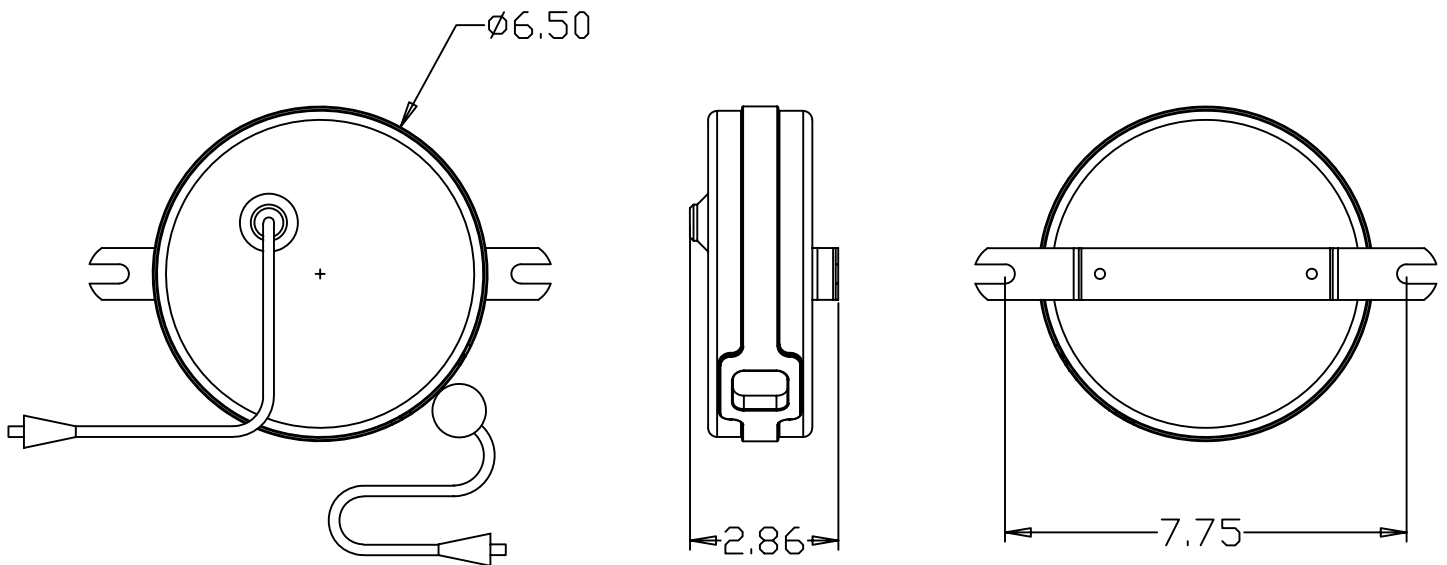


Meets stringent specifications to reduce Cross Talk and System Noise

Selection Guide:

Part Number	Housing Color	Housing Material	Cable Type	Primary	Secondary
Ethernet CAT6 Reels					
RCR-CAT6-20	Black	Plastic	CAT6	RJ45	RJ45

Product Specifications:



3123-40-TT

Retractable Cord Reel

125V, 14A, 1750W



Standard Features:

- cETLus listed
- Rugged nonmetallic enclosure
- Detachable swivel mounting bracket
- Rated at 125V, 14A, 1750W
- 14A push button breaker in reel housing
- 12/3 SJTW yellow cord, 105c rated
- Furnished with ball stop
- Lighted clear NEMA 5-15 triple tap
- 2ft primary cord with NEMA 5-15 plug
- For dry indoor locations only

Applications:

- Educational
- Maintenance Shops
- Repair Facilities
- Municipality
- Commercial Warehouses
- Retail Facilities



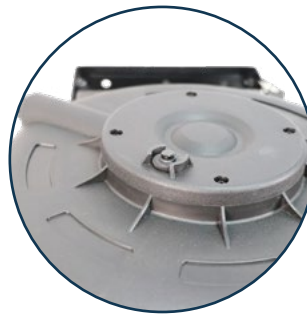
Unique Features:



Rugged nonmetallic enclosure



Detachable swivel mounting bracket



14-Amp push button circuit breaker



Clear, Illuminated NEMA 5-15 Tri-Tap

Selection Guide:

Part Number	Wire Gauge	Cord Length	Secondary	Amperage	Listing
3123-40-TT	12	40	NEMA 5-15 Molded Tri-Tap	14	cETLus

Product Specifications:

DETACHABLE SWIVEL
MOUNTING BRACKET

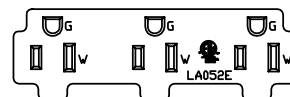
PUSHBUTTON
BREAKER
15A

YELLOW CORD



PLUG
BLACK

TRI TAP CONNECTOR
CLEAR ILLUMINATED



BALL STOP

BLACK HOUSING AND BRACKET



Industrial Grade –

F3100 Series, Flex Rig

10-20-Amp, 125-Volt



Industry Leading Features:

- cULus listed for both US and Canada
- Made in USA
- Designed for indoor use
- Ratings through 20A, 125V
- Ratchet style return with 50' vertical retraction
- Rugged, reinforced steel construction
- White powder coat finish with black nylon hub
- Grounded slip ring
- 4-roller guides for direct or lateral pull-out and return to minimize cable stress
- Separate mounting base for easy installation and relocation to multiple locations
- Pivot base available
- Wide range of attachment options including GFCI
- Adjustable ball stop



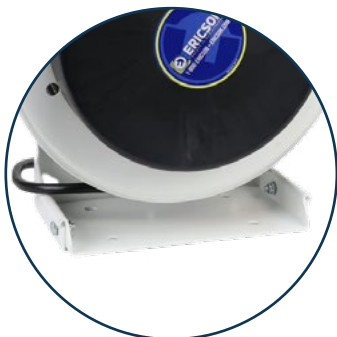
Back of Reel Shown



Applications:

- Educational
- Maintenance Shops
- Repair Facilities
- Municipality
- Commercial Warehouse
- Retail Facilities

Unique Features:



Separate mounting base for easy installation & relocation to multiple locations



4-roller guides for direct or lateral pull-out and return. Adjustable ball stop included



Adjustable guide arm



Wide range of attachment options including GFCI protection

Selection Guide

F3100 Series, Flex Rig - 25 to 35ft

Part Number	Volts	Amps	Primary Cable	Secondary Cable Type	Secondary
25 ft. – 10 Amp with 16/3 SOW Cable					
F3163-25-F10	125	10	6' Molded 5-15 Plug, SJOW	SOW	Blunt Cable End
F3163-25-510	125	10	6' Molded 5-15 Plug, SJOW	SOW	Industrial Grade 5-15C Connector
F3163-25-L510	125	10	6' Molded 5-15 Plug, SJOW	SOW	Industrial Grade L5-15C Locking Connector
F3163-25-B10	125	10	6' Molded 5-15 Plug, SJOW	SOW	Non-Metallic Outlet Box (6000) w/ (2) 5-15R Dplx. Rcpts.
F3163-25-TT10	125	10	6' Molded 5-15 Plug, SJOW	SOW	Tri-Tap - (3) 5-15R
25 ft. – 15 Amp with 12/3 SJOW Cable					
F3123-25-F15	125	15	6' Molded 5-15 Plug, SJOW	SJOW	Blunt Cable End
F3123-25-515	125	15	6' Molded 5-15 Plug, SJOW	SJOW	Industrial Grade 5-15C Connector
F3123-25-515G	125	15	6' Molded 5-15 Plug, SJOW	SJOW	Inline Manual Reset GFCI with Industrial Grade 5-15C Connector
F3123-25-L515	125	15	6' Molded 5-15 Plug, SJOW	SJOW	Industrial Grade L5-15C Locking Connector
F3123-25-L515G	125	15	6' Molded 5-15 Plug, SJOW	SJOW	Inline Manual Reset GFCI w/ Industrial Grade L5-15C Locking Connector
F3123-25-B15	125	15	6' Molded 5-15 Plug, SJOW	SJOW	Non-Metallic Outlet Box (6000) w/ (2) 5-15R Dplx. Rcpts.
F3123-25-B15G	125	15	6' Molded 5-15 Plug, SJOW	SJOW	Inline Manual Reset GFCI w/ Outlet Box (6000) w/ (2) 5-15 Duplexes
F3123-25-TT15	125	15	6' Molded 5-15 Plug, SJOW	SJOW	Tri-Tap - (3) 5-15R
F3123-25-TT15G	125	15	6' Molded 5-15 Plug, SJOW	SJOW	Inline Manual Reset GFCI, Tri-Tap - (3) 5-15R
25 ft. – 20 Amp with 12/3 SJOW Cable					
F3123-25-F20	125	20	6' Molded 5-20 Plug, SJOW	SJOW	Blunt Cable End
F3123-25-520	125	20	6' Molded 5-20 Plug, SJOW	SJOW	Industrial Grade 5-20C Connector
F3123-25-520G	125	20	6' Molded 5-20 Plug, SJOW	SJOW	Inline Manual Reset GFCI with Industrial Grade 5-20C Connector
F3123-25-L520	125	20	6' Molded 5-20 Plug, SJOW	SJOW	Industrial Grade L5-20C Locking Connector
F3123-25-L520G	125	20	6' Molded 5-20 Plug, SJOW	SJOW	Inline Manual Reset GFCI w/ Industrial Grade L5-20C Locking Connector
F3123-25-B20	125	20	6' Molded 5-20 Plug, SJOW	SJOW	Outlet Box (6000) w/ 2 5-20R Duplex Receptacles
F3123-25-B20G	125	20	6' Molded 5-20 Plug, SJOW	SJOW	Inline Manual Reset GFCI w/ Outlet Box (6000) w/ (2) 5-20 Duplexes
35 ft. – 10 Amp with 16/3 SOW Cable					
F3163-35-F10	125	10	6' Molded 5-15 Plug, SJOW	SOW	Blunt Cable End
F3163-35-510	125	10	6' Molded 5-15 Plug, SJOW	SOW	Industrial Grade 5-15C Connector
F3163-35-L510	125	10	6' Molded 5-15 Plug, SJOW	SOW	Industrial Grade L5-15C Locking Connector
F3163-35-B10	125	10	6' Molded 5-15 Plug, SJOW	SOW	Non-Metallic Outlet Box (6000) w/ (2) 5-15R Duplexes
F3163-35-TT10	125	10	6' Molded 5-15 Plug, SJOW	SOW	Tri-Tap - (3) 5-15R
35 ft. – 15 Amp with 12/3 SJOW Cable					
F3123-35-F15	125	15	6' Molded 5-15 Plug, SJOW	SJOW	Blunt Cable End
F3123-35-515	125	15	6' Molded 5-15 Plug, SJOW	SJOW	Industrial Grade 5-15C Connector

All are cULus listed.

*Cable type is same on primary and secondary, unless noted

Selection Guide

F3100 Series, Flex Rig - 35 to 50ft

Part Number	Volts	Amps	Primary Cable	Secondary Cable Type	Secondary
35 ft. – 15 Amp with 12/3 SJOW Cable, Cont.					
F3123-35-515G	125	15	6' Molded 5-15 Plug, SJOW	SJOW	Inline Manual Reset GFCI with Industrial Grade 5-15C Connector
F3123-35-L515	125	15	6' Molded 5-15 Plug, SJOW	SJOW	Industrial Grade L5-15C Locking Connector
F3123-35-L515G	125	15	6' Molded 5-15 Plug, SJOW	SJOW	Inline Manual Reset GFCI w/ Industrial Grade L5-15C Locking Connector
F3123-35-B15	125	15	6' Molded 5-15 Plug, SJOW	SJOW	Non-Metallic Outlet Box (6000) w/ (2) 5-15R Dplx. Rcpts.
F3123-35-B15G	125	15	6' Molded 5-15 Plug, SJOW	SJOW	Inline Manual Reset GFCI w/ Outlet Box (6000) w/ (2) 5-15 Duplexes
F3123-35-TT15	125	15	6' Molded 5-15 Plug, SJOW	SJOW	Tri-Tap - (3) 5-15R
F3123-35-TT15G	125	15	6' Molded 5-15 Plug, SJOW	SJOW	Inline Manual Reset GFCI, Tri-Tap - (3) 5-15R
35 ft. – 20 Amp with 12/3 SJOW Cable					
F3123-35-F20	125	20	6' Molded 5-20 Plug, SJOW	SJOW	Blunt Cable End
F3123-35-520	125	20	6' Molded 5-20 Plug, SJOW	SJOW	Industrial Grade 5-20C Connector
F3123-35-520G	125	20	6' Molded 5-20 Plug, SJOW	SJOW	Inline Manual Reset GFCI with Industrial Grade 5-20C Connector
F3123-35-L520	125	20	6' Molded 5-20 Plug, SJOW	SJOW	Industrial Grade L5-20C Locking Connector
F3123-35-L520G	125	20	6' Molded 5-20 Plug, SJOW	SJOW	Inline Manual Reset GFCI w/ Industrial Grade L5-20C Locking Connector
F3123-35-B20	125	20	6' Molded 5-20 Plug, SJOW	SJOW	Non-Metallic Outlet Box (6000) w/ (2) 5-20R Dplx. Rcpts.
F3123-35-B20G	125	20	6' Molded 5-20 Plug, SJOW	SJOW	Inline Manual Reset GFCI w/ Outlet Box (6000) w/ (2) 5-20 Duplexes
50 ft. – 10 Amp with 16/3 SOW Cable					
F3163-50-F10	125	10	6' Molded 5-15 Plug, SJOW	SOW	Blunt Cable End
F3163-50-510	125	10	6' Molded 5-15 Plug, SJOW	SOW	Industrial Grade 5-15C Connector
F3163-50-L510	125	10	6' Molded 5-15 Plug, SJOW	SOW	Industrial Grade L5-15C Locking Connector
F3163-50-B10	125	10	6' Molded 5-15 Plug, SJOW	SOW	Non-Metallic Outlet Box (6000) w/ (2) 5-15R Dplx. Rcpts.
F3163-50-TT10	125	10	6' Molded 5-15 Plug, SJOW	SOW	Tri-Tap - (3) 5-15R
50 ft. – 15 Amp with 12/3 SJOW Cable					
F3163-50-F15	125	15	6' Molded 5-15 Plug, SJOW	SJOW	Blunt Cable End
F3163-50-515	125	15	6' Molded 5-15 Plug, SJOW	SJOW	Industrial Grade 5-15C Connector
F3163-50-515G	125	15	6' Molded 5-15 Plug, SJOW	SJOW	Inline Manual Reset GFCI with Industrial Grade 5-15C Connector
F3163-50-L515	125	15	6' Molded 5-15 Plug, SJOW	SJOW	Industrial Grade L5-15C Locking Connector
F3163-50-L515G	125	15	6' Molded 5-15 Plug, SJOW	SJOW	Inline Manual Reset GFCI w/ Industrial Grade L5-15C Locking Connector
F3163-50-B15	125	15	6' Molded 5-15 Plug, SJOW	SJOW	Non-Metallic Outlet Box (6000) w/ (2) 5-15R Dplx. Rcpts.
F3163-50-B15G	125	15	6' Molded 5-15 Plug, SJOW	SJOW	Inline Manual Reset GFCI w/ Outlet Box (6000) w/ (2) 5-15 Duplexes
F3163-50-TT15	125	15	6' Molded 5-15 Plug, SJOW	SJOW	Tri-Tap - (3) 5-15R
F3163-50-TT15G	125	15	6' Molded 5-15 Plug, SJOW	SJOW	Inline Manual Reset GFCI, Tri-Tap - (3) 5-15R

All are
*Cable type is same on primary and secondary, unless noted

Selection Guide

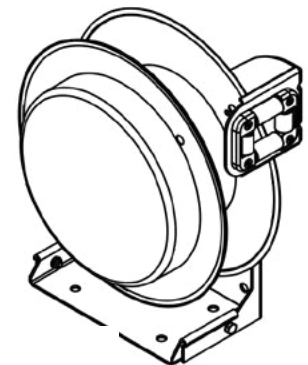
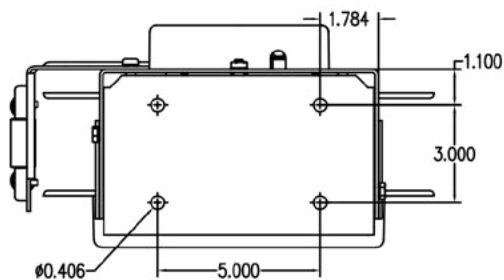
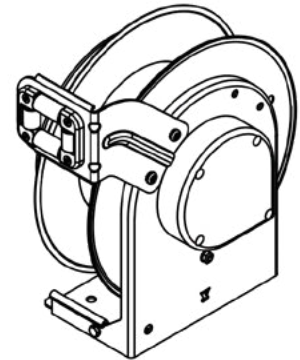
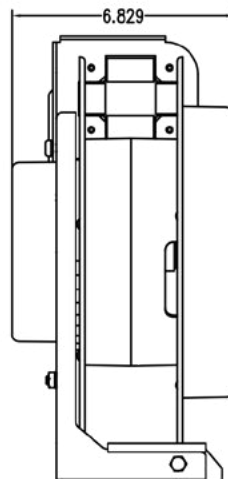
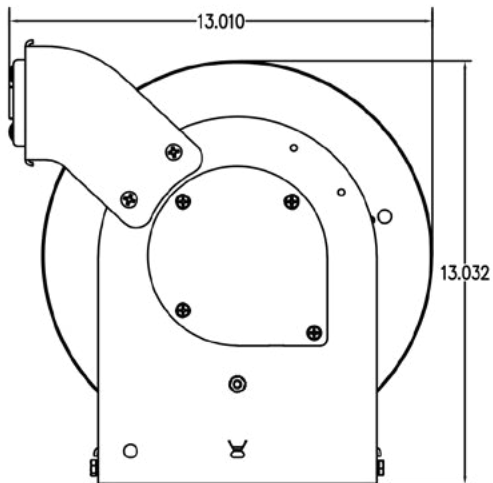
F3100 Series, Flex Rig - 50ft

Part Number	Volts	Amps	Primary Cable	Secondary Cable Type	Secondary
50 ft. – 20 Amp with 12/3 SJOW Cable					
F3123-50-F20	125	20	6' Molded 5-20 Plug, SJOW	SJOW	Blunt Cable End
F3123-50-520	125	20	6' Molded 5-20 Plug, SJOW	SJOW	Industrial Grade 5-20C Connector
F3123-50-520G	125	20	6' Molded 5-20 Plug, SJOW	SJOW	Inline Manual Reset GFCI with Industrial Grade 5-20C Connector
F3123-50-L520	125	20	6' Molded 5-20 Plug, SJOW	SJOW	Industrial Grade L5-20C Locking Connector
F3123-50-L520G	125	20	6' Molded 5-20 Plug, SJOW	SJOW	Inline Manual Reset GFCI w/ Industrial Grade L5-15C Locking Connector
F3123-50-B20	125	20	6' Molded 5-20 Plug, SJOW	SJOW	Non-Metallic Outlet Box (6000) w/ (2) 5-20R Duplex Receptacles
F3123-50-B20G	125	20	6' Molded 5-20 Plug, SJOW	SJOW	Inline Manual Reset GFCI w/ Outlet Box (6000) w/ (2) 5-20 Duplexes
F3123-50-B20-BLK	125	20	6' Molded 5-20 Plug, SJOW	SJOW	Non-Metallic Outlet Box (6000) w/ (2) 5-20R Duplex Receptacles

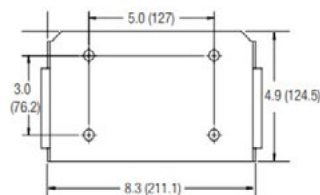
All are cULus listed.

*Cable type is same on primary and secondary, unless noted

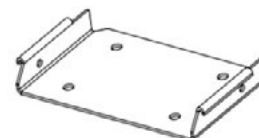
F3100 Series, Flex Rig Dimensions



Base Plate Dimensions



B-FLEX



B-FLEX

F3100 Series, Flex Rig Secondary Accessories



Straight Connector

Locking Connector

6000 Series Outlet Box

Tri-Tap

Inline GFCI

Part #	Secondary Reel Accessories
GFCI	
-B15G	Inline Manual Reset GFCI, Non-Metallic Outlet Box (6000) with (2) 5-15 Duplexes
-B20G	Inline Manual Reset GFCI, Non-Metallic Outlet Box (6000) with (2) 5-20 Duplexes
-515G	Inline Manual Reset GFCI with Industrial Grade 5-15C Connector
-520G	Inline manual reset GFCI with industrial grade NEMA 5-20C Connector
-L515G	Inline manual reset GFCI with industrial grade NEMA L5-15C Connector
-L520G	Inline manual reset GFCI with industrial grade NEMA L5-20C Connector
-TT15G	Inline manual reset GFCI, Tri-Tap - (3) NEMA 5-15R
Outlet box	
-B10/B15	Non-Metallic Outlet Box (6000) with (2) 5-15 Duplexes
-B20	Non-Metallic Outlet Box (6000) with (2) 5-20 Duplexes

Part #	Secondary Reel Accessories
Connectors	
-515	5-15C
-L510	L5-15C
-520	5-20C
-L520	L5-20C
Tri-Tap	
-TT10	Tri-Tap - (3) 5-15R
-TT15	Tri-Tap - (3) 5-15R

Industrial Grade Cord Reels

4000-8000 Series



4000 Series



5000 Series



6000/7000 Series



8000 Series

Selection Guide Overview

Standard Reel Offering*	4000	5000	6000	7000	8000
Certification	UL/CSA	UL/CSA	cULus	cULus	UL
Electrical Rating – Voltage	125V to 600V	125V to 600V	250V to 600V	250V to 600V	125V to 600V
Electrical Rating – Amperage	8A to 20A	5A to 30A	35A to 150A	35A to 150A	8A to 35A
Available Cord Length	25 to 50 ft	20 to 80ft	20 to 150ft	30 to 150ft	20 to 50ft
Lift/Drag Application	Standard	Standard	Standard	Standard	Standard
Ball Stop Included	Yes	Yes	Yes	Yes	Yes
Ratchet Installed	Yes	Yes	Yes	Yes	Yes
Ratchet Lockout Capable	Yes	Yes	Yes	Yes	Yes
Adjustable Guide Arm	Yes	Yes	Yes	Yes	Yes
Primary Connection	Molded Cord to Match Reel Amperage (blunt end cable is SOW)	6ft. Blunt Primary and 1" Direct Conduit Connection	1-2ft. Primary Conductor Leads and 1" Direct Conduit Connection	1-2ft. Primary Conductor Leads and 1" Direct Conduit Connection	6 ft. Blunt Feeder Cable
Secondary Cord Type - Standard*	SJOW / SOOW	SOOW	SOOW-A / Type W	SOOW-A / Type W	SOW

*Contact factory for custom reels and cable types

4000-8000 Series

Secondary Accessories

Power Accessories



6000 Series Outlet Box



GFCI Duplex



1610/1612 CG



1610/1612 CW6P



1612 PWDX Outlet Box

Lighting Accessories



Handlamp 744-RS



Handlamp 944-RS



Handlamp 1917LED-12S



Handlamp HL



Handlamp 2600

Secondary Accessories Overview*

Description	Part #	4000	5000	6000	7000	8000
Non-Metallic Outlet Box (6000) w/ (2) 5-15R Dplx. Rcpts.	-B/-BG	X	X	X		
Non-Metallic Outlet Box (6000) w/ (2) 5-20R Dplx. Rcpts.	-B20	X	X			
Non-Metallic Outlet Box w/ (1) 5-20 GFCI Duplex & (1) 5-20 Duplex	-BG20	X	X		X	
Industrial Grade 5-15C Connector	-1610CG	X				
Industrial Grade 5-15C Connector, Watertight Connector & Sealing Cap	-1610CW6P	X	X			
Industrial Grade 5-20C Connector	-1612CG	X	X			
Industrial Grade 5-20C, Watertight Connector & Sealing Cap	-1612CW6P	X				
Industrial Grade L5-20 Locking Connector	-2410CG	X				
Non-Metallic Outlet Box (PWDX) & Wire Mesh w/ (2) 5-20R Dplx. Rcpts.	-1612PWDX		X	X		
Handlamp (744-RS) w/ on/off switch & (104-R) Metal Guard	-HS	X				
Handlamp (944-RS) w/ 5-15R, on/off switch & (104-R) Metal Guard	-HSS	X	X			
Haz. Location Handlamp (2600) w/ 11W LED Lamp	-XPI					X
Handlamp, Low Voltage (1917) w/ LED lamp. Transformer on Primary.	-1917LED-12S	X				
10W 120V Omni-Directional LED HL Handlamp w/switch	-HL	X				

* Contact factory for custom power and lighting attachments.

4000 Series

Industrial Grade Cord Reels

10-35-Amp, 125 -600-Volt



Industry Leading Features:

- UL Listed, CSA Approved both US and Canada
- Made in USA
- Slip Ring Max Rating 35A, 600V
- Cable Ranges:
 - 16/3-16/4
 - 14/3-14/4
 - 12/3-12/4
- Operating Temperature Range: -22°F to 86°F (-30°C to 30°C)
- SJ Cable type NEMA 2, indoor use and SOW Cable type NEMA 4, Indoor/Outdoor use
- Ratchet style return
- Easy ratchet lock-out for constant tension and return
- Adjustable guide arm with 12 positions for easy payout positioning
- Rugged, all steel construction with fiberglass/nylon drum
- Yellow, black or white powder coat finish standard
- NEMA 4 enclosed precision slip ring assembly for contacts and grounded slip ring
- 4-roller guides for direct or lateral pull-out and return to minimize cable stress
- Adjustable ball stop
- Wide range of primary connection and secondary power and lighting attachments
- Pivot base available for 345-degree swivel applications

Applications:

- Assembly fabrication work areas
- Indoor and outdoor vehicle heater or charging power
- Truck crane control cables
- Automotive and truck work bays
- Conveyors and utility trucks
- Schools, theaters & recreation centers
- Scissor lift charging
- Commercial/Retail
- Data centers

Unique Features:



Adjustable guide arm with 12 positions for easy payout positioning



Ratchet lockout available, safety chain mounting hole standard



4-roller guides reduce cable stress. Adjustable ball stop included



Wide range of primary connection & secondary power/lighting attachments

Swing Mount & Pivot Base Assemblies



4000-SMA



PB-45

[See Page 43 for Reel Accessories.](#)

Selection Guide

4000 Series - 25 to 30ft

Part Number	Reel Color	Volts	Primary Cable Type	Secondary Cable Type	Secondary
25 ft. – 10 Amp with 16/3 SOW Cable					
4163-25	Yellow	125	6' Molded 5-15 Plug, SJTOW	SOW	Blunt Cable End
4163-25SO	Yellow	600	6' Blunt Cable End, SOW	SOW	Blunt Cable End
4163-25-HS	Yellow	125	6' Molded 5-15 Plug, SJTOW	SOW	Handlamp (744-RS) w/ on/off switch & (104-R) Metal Guard
4163-25SO-HS**	Yellow	125	6' Blunt Cable End, SOW	SOW	Handlamp (744-RS) w/ on/off switch & (104-R) Metal Guard
4163-25-HSS	Yellow	125	6' Molded 5-15 Plug, SJTOW	SOW	Handlamp (944-RS) w/ 5-15R, on/off switch & (104-R) Metal Guard
4163-25-B*	Yellow	125	6' Molded 5-15 Plug, SJTOW	SOW	Non-Metallic Outlet Box (6000) w/ (2) 5-15R Dplx. Rcpts.
25 ft. – 15 Amp with 12/3 SJOW Cable					
4123-25-1610	Yellow	125	6' Molded 5-20 Plug, SJTOW	SJOW	Industrial Grade 5-15C Connector
4123-25-B*	Yellow	125	6' Molded 5-20 Plug, SJTOW	SJOW	Non-Metallic Outlet Box (6000) w/ (2) 5-15R Dplx. Rcpts.
4123-25-BGS-15**	Yellow	125	6' Molded 5-20 Plug, SJTOW	SJOW	Non-Metallic Outlet Box w/ (1) 5-15 GFCI Duplex & (1) 5-15 Duplex
25 ft. – 16 Amp with 12/4 SJOW Cable					
4124-25	Yellow	300	6' Blunt Cable End, SJOW	SJOW	Blunt Cable End
25 ft. – 16 Amp with 12/4 SOW Cable					
4124-25SO	Yellow	600	6' Blunt Cable End, SOW	SOW	Blunt Cable End
4124-25SO-B20	Yellow	125	6' Blunt Cable End, SOW w/ Inline Manual Reset GFCI	SOW	Non-Metallic Outlet Box (6000) w/ (2) 5-20R Dplx. Rcpts.
25 ft. – 20 Amp with 12/3 SJOW Cable					
4123-25	Yellow	125	6' Molded 5-20 Plug, SJTOW	SJOW	Blunt Cable End
4123-25-BB	Black	125	6' Molded 5-20 Plug, SJTOW	SJOW	Blunt Cable End
4123-25-BG	Yellow	125	6' Molded 5-20 Plug, SJTOW w/ Inline Manual Reset GFCI	SJOW	Non-Metallic Outlet Box (6000) w/ (2) 5-20R Dplx. Rcpts.
4123-25-WW	White	125	6' Molded 5-20 Plug, SJTOW	SJOW-White	Blunt Cable End
4123-25-1612CG	Yellow	125	6' Molded 5-20 Plug, SJTOW	SJOW	Industrial Grade 5-20C Connector
4123-25-1612CG-BB	Black	125	6' Molded 5-20 Plug, SJTOW	SJOW	Industrial Grade 5-20C, Black Connector
4123-25-1612CG-WW	White	125	6' Molded 5-20 Plug, SJTOW	SJOW-White	Industrial Grade 5-20C Connector
4123-25-HSS	Yellow	125	6' Molded 5-20 Plug, SJTOW	SJOW	Handlamp (944-RS) w/ 5-15R, on/off switch & (104-R) Metal Guard
4123-25-BGS-20	Yellow	125	6' Molded 5-20 Plug, SJTOW	SJOW	Non-Metallic Outlet Box w/ (1) 5-20 GFCI Duplex & (1) 5-20 Duplex
4123-25-B20-USB	Yellow	125	6' Molded 5-20 Plug, SJTOW	SJOW	Non-Metallic Outlet Box w/ (1) 5-20 GFCI Duplex & (1) 5-20 Duplex w/USB
4123-25-B20**	Yellow	125	6' Molded 5-20 Plug, SJTOW	SJOW	Non-Metallic Outlet Box (6000) w/ (2) 5-20R Dplx. Rcpts.
4123-25-B20-BB**	Black	125	6' Molded 5-20 Plug, SJTOW	SJOW	Black, Non-Metallic Outlet Box (6000) w/ (2) 5-20R Dplx. Rcpts.
4123-25-B20-WW*	White	125	6' Molded 5-20 Plug, SJTOW	SJOW-White	Black, Non-Metallic Outlet Box (6000) w/ (2) 5-20R Dplx. Rcpts.
30 ft. – 15 Amp with 12/3 SO Cable					
4123-30SO-B*	Yellow	125	6' Blunt Cable End, SOW	SOW	Non-Metallic Outlet Box (6000) w/ (2) 5-15R Dplx. Rcpts

Notes: UL & CSA listed, unless noted. Cable type is same on primary and secondary, unless noted. Cable color is black, unless noted.

*UL Listed

**Comprised of listed and recognized components

Selection Guide

4000 Series - 30 to 35ft

Part Number	Reel Color	Volts	Primary Cable	Secondary Cable Type	Secondary
30 ft. – 15 Amp with 14/3 SOW & SJOW cable					
4143-30SO-BB	Black	600	6' Blunt Cable End, SOW	SOW	Blunt Cable End
4143-30	Yellow	125	6' Molded 5-15 Plug, SJTOW	SJOW	Blunt Cable End
4143-30SO	Yellow	600	6' Blunt Cable End, SOW	SOW	Blunt Cable End
4143-30-1610	Yellow	125	6' Molded 5-15 Plug, SJTOW	SJOW	Industrial Grade 5-15C Connector
4143-30-1610CW6P**	Yellow	125	6' Molded 5-15 Plug, SJTOW	SJOW	Industrial Grade 5-15C Connector, Watertight Connector & Sealing Cap
4143-30-HS**	Yellow	125	6' Molded 5-15 Plug, SJTOW	SJOW	Handlamp (744-RS) w/ on/off switch & (104-R) Metal Guard
4143-30-HSS	Yellow	125	6' Molded 5-15 Plug, SJTOW	SJOW	Handlamp (944-RS) w/ 5-15R, on/off switch & (104-R) Metal Guard
4143-30-B*	Yellow	125	6' Molded 5-15 Plug, SJTOW	SJOW	Non-Metallic Outlet Box (6000) w/ (2) 5-15R Dplx. Rcpts.
4143-30-BG	Yellow	125	6' Molded 5-15 Plug, SJTOW w/ Inline Manual Reset GFCI	SJOW	Non-Metallic Outlet Box (6000) w/ (2) 5-15R Dplx. Rcpts.
4143-30-BGS-15	Yellow	125	6' Molded 5-15 Plug, SJTOW	SJOW	Non-Metallic Outlet Box w/ (1) 5-15 GFCI Duplex & (1) 5-15 Duplex
4143-30SO-BG**	Yellow	125	6' Molded 5-15 Plug, SJTOW w/ Inline Manual Reset GFCI	SOW	Non-Metallic Outlet Box (6000) w/ (2) 5-15R Dplx. Rcpts.
4143-30SO-BGS-15**	Yellow	125	6' Molded 5-15 Plug, SJTOW	SOW	Non-Metallic Outlet Box w/ (1) 5-15 GFCI Duplex & (1) 5-15 Duplex
30 ft. – 15 Amp with 12/3 SOW cable					
4123-30SO-B*	Yellow	125	6' Blunt Cable End, SOW	SOW	Non-Metallic Outlet Box (6000) w/ (2) 5-15R Dplx. Rcpts.
30 ft. – 20 Amp with 12/3 SOW & SJOW Cable					
4123-30-1612CG	Yellow	125	6' Molded 5-20 Plug, SJTOW	SJOW	Industrial Grade 5-20C Connector
4123-30SO	Yellow	125	6' Blunt Cable End, SOW	SOW	Blunt Cable End
4123-30SO-1612CG	Yellow	125	6' Blunt Cable End, SOW	SOW	Industrial Grade 5-20C Connector
4123-30SO-1612CW6P**	Yellow	125	6' Blunt Cable End, SOW	SOW	Industrial Grade 5-20C, Watertight Connector & Sealing Cap
4123-30SO-B20**	Yellow	125	6' Blunt Cable End, SOW	SOW	Non-Metallic Outlet Box (6000) w/ (2) 5-20R Dplx. Rcpts.
4123-30SO-BGS-20**	Yellow	125	6' Blunt Cable End, SOW	SOW	Non-Metallic Outlet Box w/ (1) 5-20 GFCI Duplex & (1) 5-20 Duplex
35 ft – 8 Amp with 16/4 SOW & SJOW Cable					
4164-35	Yellow	300	6' Blunt Cable End, SOW	SJOW	Blunt Cable End
4164-35SO	Yellow	600	6' Blunt Cable End, SOW	SOW	Blunt Cable End
35 ft – 10 Amp with 16/3 SOW & SJOW Cable					
4163-35	Yellow	125	6' Molded 5-15 Plug, SJTOW	SJOW	Blunt Cable End
4163-35SO	Yellow	600	6' Blunt Cable End, SOW	SOW	Blunt Cable End
4163-35-HS	Yellow	125	6' Molded 5-15 Plug, SJTOW	SJOW	Handlamp (744-RS) w/ on/off switch & (104-R) Metal Guard
4163-35SO-HS**	Yellow	125	6' Blunt Cable End, SOW	SOW	Handlamp (744-RS) w/ on/off switch & (104-R) Metal Guard
4163-35-HSS**	Yellow	125	6' Molded 5-15 Plug, SJTOW	SJOW	Handlamp (944-RS) w/ 5-15R, on/off switch & (104-R) Metal Guard

Notes: UL & CSA listed, unless noted. Cable type is same on primary and secondary, unless noted. Cable color is black, unless noted.

*UL Listed

**Comprised of listed and recognized components

Selection Guide

4000 Series - 35 to 50ft

Part Number	Reel Color	Volts	Primary Cable	Secondary Cable Type	Secondary
35 ft – 12 Amp with 14/4 SJOW Cable					
4144-35	Yellow	300	6' Blunt Cable End, SOW	SJOW	Blunt Cable End
35 ft. – 16 Amp with 12/4 SJOW Cable					
4124-35	Yellow	300	6' Blunt Cable End, SOW	SJOW	Blunt Cable End
40 ft. – 15 Amp with 14/3 SOW & SJOW Cable					
4143-40	Yellow	125	6' Molded 5-15 Plug, SJTOW	SJOW	Blunt Cable End
4143-40SO	Yellow	600	6' Blunt Cable End, SOW	SOW	Blunt Cable End
4143-40-1610	Yellow	125	6' Molded 5-15 Plug, SJTOW	SJOW	Industrial Grade 5-15C Connector
4143-40-HS**	Yellow	125	6' Molded 5-15 Plug, SJTOW	SJOW	Handlamp (744-RS) w/ on/off switch & (104-R) Metal Guard
4143-40-HSS**	Yellow	125	6' Molded 5-15 Plug, SJTOW	SJOW	Handlamp (944-RS) w/ 5-15R, on/off switch & (104-R) Metal Guard
4143-40-B*	Yellow	125	6' Molded 5-15 Plug, SJTOW	SJOW	Non-Metallic Outlet Box (6000) w/ (2) 5-15R Dplx. Rcpts.
4143-40-BG	Yellow	125	6' Molded 5-15 Plug, SJTOW w/ Inline Manual Reset GFCI	SJOW	Non-Metallic Outlet Box (6000) w/ (2) 5-15R Dplx. Rcpts.
4143-40-BGS-15**	Yellow	125	6' Molded 5-15 Plug, SJTOW	SJOW	Non-Metallic Outlet Box w/ (1) 5-15 GFCI Duplex & (1) 5-15 Duplex
50 ft. – 8 Amp with 16/4 SOW Cable					
4164-50	Yellow	300	6' Blunt Cable End, SOW	SOW	Blunt Cable End
4164-50SO	Yellow	600	6' Blunt Cable End, SOW	SOW	Blunt Cable End
50 ft. – 10 Amp with 16/3 SOW Cable					
4163-50	Yellow	125	6' Molded 5-15 Plug, SJTOW	SOW	Blunt Cable End
4163-50SO	Yellow	600	6' Blunt Cable End, SOW	SOW	Blunt Cable End
4163-50-1610CG**	Yellow	125	6' Molded 5-15 Plug, SJTOW	SOW	Industrial Grade 5-15C Connector
4163-50-HS	Yellow	125	6' Molded 5-15 Plug, SJTOW	SOW	Handlamp (744-RS) w/ on/off switch & (104-R) Metal Guard
4163-50-HSS	Yellow	125	6' Molded 5-15 Plug, SJTOW	SOW	Handlamp (944-RS) w/ 5-15R, on/off switch & (104-R) Metal Guard
4163-50-1917LED-12S**	Yellow	125	6' Molded 5-15 Plug, SJTOW	SOW	Handlamp, Low Voltage (1917) w/ LED lamp. <i>Transformer on Primary.</i>
4163-50-B*	Yellow	125	6' Molded 5-15 Plug, SJTOW	SOW	Non-Metallic Outlet Box (6000) w/ (2) 5-15R Dplx. Rcpts.
50 ft. – 15 Amp with 14/3 SJOW Cable					
4143-50	Yellow	300	6' Molded 5-15 Plug, SJTOW	SJOW	Blunt Cable End
4143-50-1610	Yellow	125	6' Molded 5-15 Plug, SJTOW	SJOW	Industrial Grade 5-15C Connector
4143-50-HS	Yellow	125	6' Molded 5-15 Plug, SJTOW	SJOW	Handlamp (744-RS) w/ on/off switch & (104-R) Metal Guard
4143-50-HSS	Yellow	125	6' Molded 5-15 Plug, SJTOW	SJOW	Handlamp (944-RS) w/ 5-15R, on/off switch & (104-R) Metal Guard
4143-50-B*	Yellow	125	6' Molded 5-15 Plug, SJTOW	SJOW	Non-Metallic Outlet Box (6000) w/ (2) 5-15R Dplx. Rcpts.
4143-50-BG	Yellow	125	6' Molded 5-15 Plug, SJTOW w/ Inline Manual Reset GFCI	SJOW	Non-Metallic Outlet Box (6000) w/ (2) 5-15R Dplx. Rcpts.
4143-50-BGS-15**	Yellow	125	6' Molded 5-15 Plug, SJTOW	SJOW	Non-Metallic Outlet Box w/ (1) 5-15 GFCI Duplex & (1) 5-15 Duplex

Selection Guide

4000 Series - 50ft

Part Number	Reel Color	Volts	Primary	Secondary Cable Type	Secondary
50 ft. – 15 Amp with 12/3 SJOW Cable					
4123-50-1610	Yellow	125	6' Molded 5-20 Plug, SJTOW	SJOW	Industrial Grade 5-15C Connector
4123-50-B*	Yellow	125	6' Molded 5-20 Plug, SJTOW	SJOW	Non-Metallic Outlet Box (6000) w/ (2) 5-15R Dplx. Rcpts.
4123-50-BG	Yellow	125	6' Molded 5-20 Plug, SJTOW w/ Inline Manual Reset GFCI	SJOW	Non-Metallic Outlet Box (6000) w/ (2) 5-15R Dplx. Rcpts.
50 ft. – 20 Amp with 12/3 SJOW Cable					
4123-50	Yellow	600	6' Molded 5-20 Plug, SJTOW	SJOW	Blunt Cable End
4123-50-BB	Black	125	6' Molded 5-20 Plug, SJTOW	SJOW	Blunt Cable End
4123-50-WW	White	125	6' Molded 5-20 Plug, SJTOW	SJOW-White	Blunt Cable End
4123-50-1612CG	Yellow	125	6' Molded 5-20 Plug, SJTOW	SJOW	Industrial Grade 5-20C Black Connector
4123-50-1612CG-BB	Black	125	6' Molded 5-20 Plug, SJTOW	SJOW	Industrial Grade 5-20C Black Connector
4123-50-1612CG-WW	White	125	6' Molded 5-20 Plug, SJTOW	SJOW-White	Industrial Grade 5-20C Black Connector
4123-50-1612CW6P**	Yellow	125	6' Molded 5-20 Plug, SJTOW	SJOW	Industrial Grade 5-20C, Watertight Connector & Sealing Cap
4123-50-2410CG**	Yellow	125	6' Molded 5-20 Plug, SJTOW	SJOW	Industrial Grade L5-20 Locking Connector
4123-50-HS	Yellow	125	6' Molded 5-20 Plug, SJTOW	SJOW	Handlamp (744-RS) w/ on/off switch & (104-R) Metal Guard
4123-50-HSS	Yellow	125	6' Molded 5-20 Plug, SJTOW	SJOW	Handlamp (944-RS) w/ 5-15R, on/off switch & (104-R) Metal Guard
4123-50-910-S-360**	Yellow	125	6' Molded 5-20 Plug, SJTOW	SJOW	10W 120V Omni-Directional LED Handlamp w/switch
4123-50-B20*	Yellow	125	6' Molded 5-20 Plug, SJTOW	SJOW	Non-Metallic Outlet Box (6000) w/ (2) 5-20R Dplx. Rcpts.
4123-50-B20-BB*	Black	125	6' Molded 5-20 Plug, SJTOW	SJOW	Black, Non-Metallic Outlet Box (6000) w/ (2) 5-20R Dplx. Rcpts.
4123-50-B20-WW*	White	125	6' Molded 5-20 Plug, SJTOW	SJOW-White	Black, Non-Metallic Outlet Box (6000) w/ (2) 5-20R Dplx. Rcpts.
4123-50-BG	Yellow	125	6' Molded 5-20 Plug, SJTOW w/ Inline Manual Reset GFCI	SJOW	Non-Metallic Outlet Box (6000) w/ (2) 5-20R Dplx. Rcpts.
4123-50-BGS-20**	Yellow	125	6' Molded 5-20 Plug, SJTOW	SJOW	Non-Metallic Outlet Box w/ (1) 5-20 GFCI Duplex & (1) 5-20 Duplex
4123-50-BGB*	Black	125	6' Molded 5-20 Plug, SJTOW w/ Inline Manual Reset GFCI	SJOW	Black, Non-Metallic Outlet Box (6000) w/ (2) 5-20R Dplx. Rcpts.
4123-50-BGW	White	125	6' Molded 5-20 Plug, SJTOW w/ Inline Manual Reset GFCI	SJOW	Non-Metallic Outlet Box (6000) w/ (2) 5-20R Dplx. Rcpts.

Notes: UL & CSA listed, unless noted. Cable type is same on primary and secondary, unless noted. Cable color is black, unless noted.

*UL Listed

**Comprised of listed and recognized components

4000 Series

Secondary Accessories

Power Accessories



6000 Series Outlet Box



GFCI Duplex



1610/1612 CG



1610/1612 CW6P

Lighting Accessories



Handlamp 744-RS



Handlamp 944-RS



Handlamp 1917LED-12S

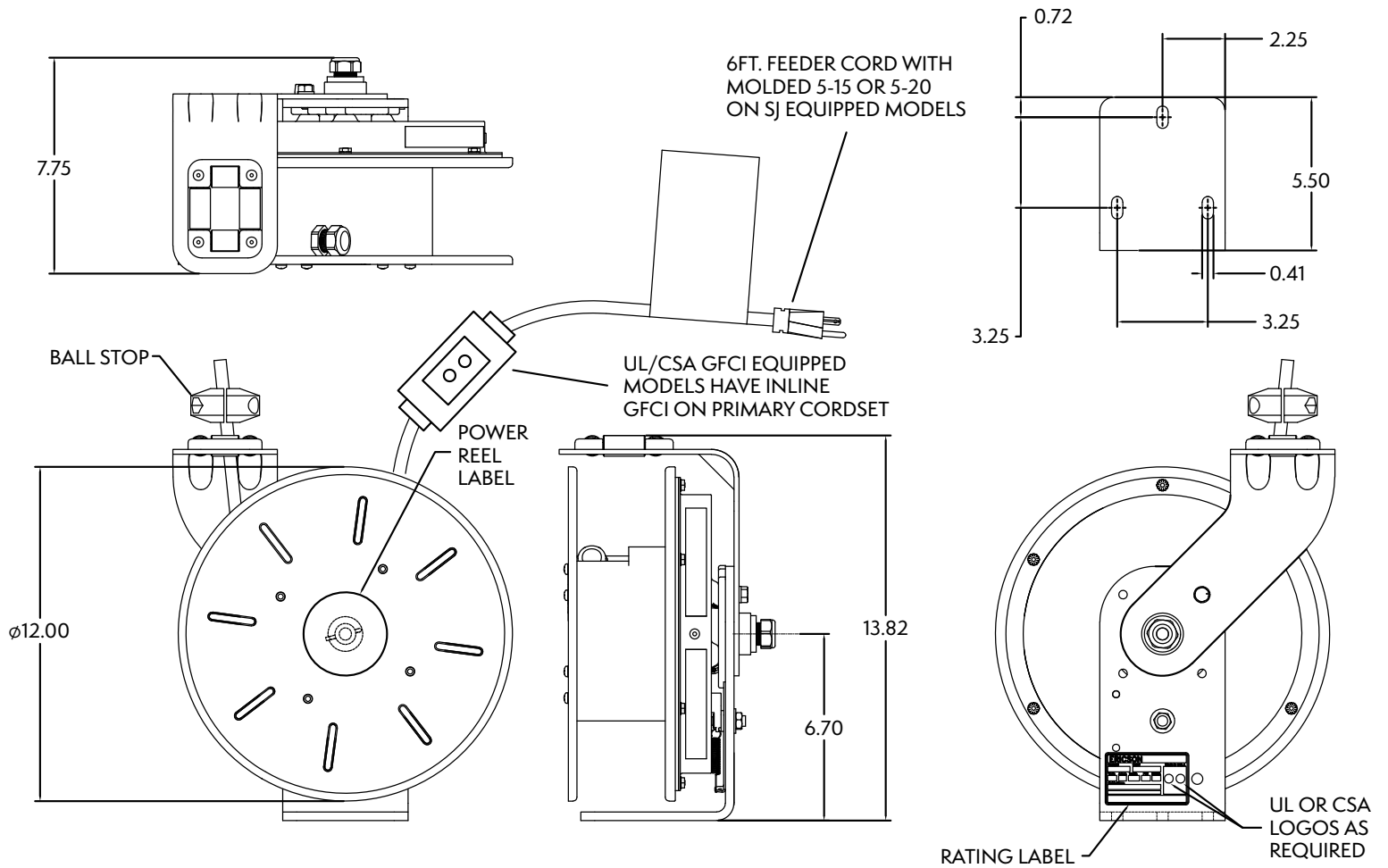


Handlamp HL

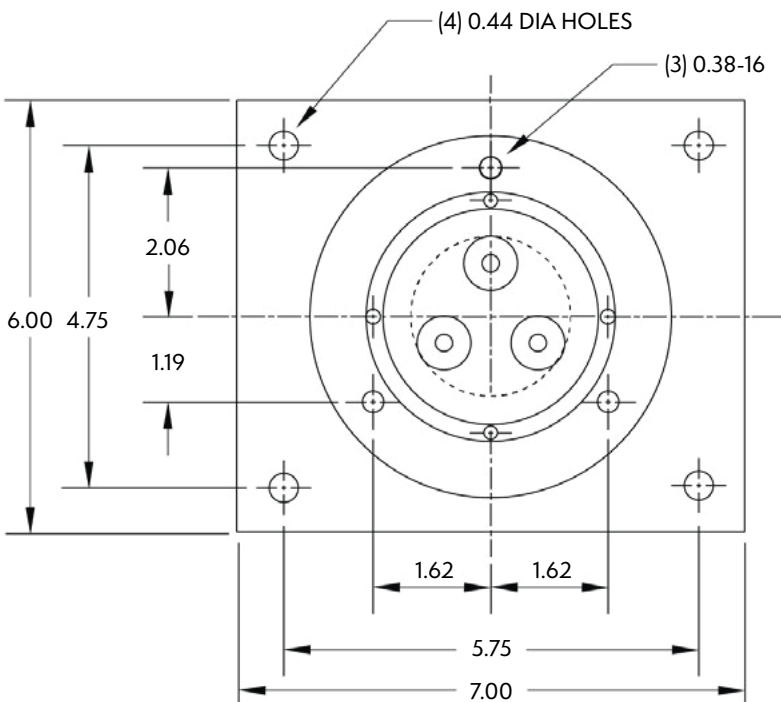
Secondary Accessories Overview

Part #	Description
-B/-BG	Non-Metallic Outlet Box (6000) w/ (2) 5-15R Dplx. Rcpts.
-B20	Non-Metallic Outlet Box (6000) w/ (2) 5-20R Dplx. Rcpts.
-BG20	Non-Metallic Outlet Box w/ (1) 5-20 GFCI Duplex & (1) 5-20 Duplex
-1610CG	Industrial Grade 5-15C Connector
-1610CW6P	Industrial Grade 5-15C Connector, Watertight Connector & Sealing Cap
-1612CG	Industrial Grade 5-20C Connector
-1612CW6P	Industrial Grade 5-20C, Watertight Connector & Sealing Cap
-2410CG	Industrial Grade L5-20 Locking Connector
-HS	Handlamp (744-RS) w/ on/off switch & (104-R) Metal Guard
-HSS	Handlamp (944-RS) w/ 5-15R, on/off switch & (104-R) Metal Guard
-1917LED-12S	Handlamp, Low Voltage (1917) w/ LED lamp. Transformer on Primary.
-HL	10W 120V Omni-Directional LED HL Handlamp w/switch

4000 Series Dimensions

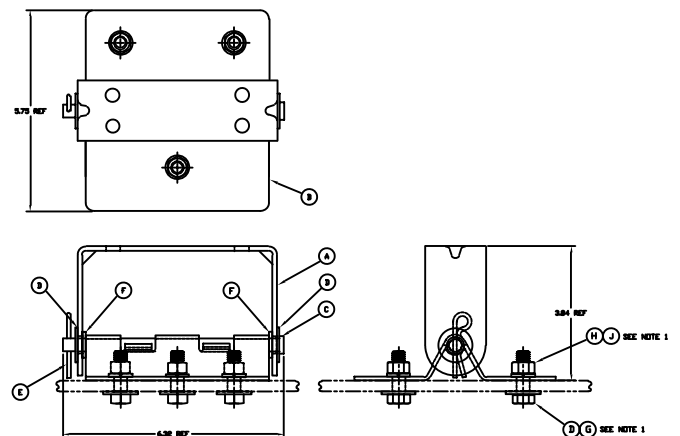


Pivot Base, PB-45



Swing Mount Assembly

For wall mounting, if the cable needs to payout at an angle, then order this separately.



5000 Series

Industrial Grade Cord Reels

10-35-Amp, 125 -600-Volt



Industry Leading Features:

- UL Listed, CSA Approved, for both US and Canada
- Made in USA
- Slip Ring Max Rating 35A 600V
- Cable Ranges:
 - 16/3-16/12
 - 14/3-14/12
 - 12/3-12/8
 - 10/3-10/6
- Available with and without feeder cable
- Operating Temperature Range: -22°F to 86°F (-30°C to 30°C)
- Designed for indoor and outdoor use
- Ratchet style return
- Easy ratched lock-out for constant tension and return
- Adjustable guide arm with 12 positions for easy payout positioning
- Rugged, all steel construction with fiberglass/nylon drum
- Yellow powder coat finish standard, with Black Slip Ring Cover
- NEMA 4 enclosed precision slip ring assembly for contacts and grounded slip ring
- 4-roller guides for direct or lateral pull-out and return to minimize cable stress
- Separate mounting base for easy installation and relocation
- Adjustable ball stop included in 3 & 4 conductor reels
- Wide range of primary connection and secondary power and lighting attachments
- Pivot base available for 345-degree swivel applications
- [See page 43 for Reel Accessories](#)



Applications:

- Assembly fabrication work areas
- Indoor and outdoor vehicle heater or charging power
- Extendable conveyors
- Truck body power
- Emergency vehicle power & lighting
- Crane control
- Automotive & truck work bays
- Class A-C overhead cranes/hoists
- Schools & theaters
- Data centers
- Truck cranes, utility & ladder trucks

Unique Features:



Adjustable guide arm with 12 positions for easy payout positioning



4-roller guides for direct or lateral pull-out and return to minimize cable stress



NEMA 4 enclosed precision slip ring assembly for contacts and grounded slip ring



Wide range of primary connection & secondary power/lighting attachments

Selection Guide

5000 Series - 20 ft

Part Number	Volts	Amps	Primary Cable	Secondary Cable Type	Secondary
20 ft. – 5 Amp with 16/12 SOW Cable					
51612-20	600	5	6' Blunt Cable End, SOW	SOW	Blunt Cable End
51610-20	600	5	6' Blunt Cable End, SOW	SOW	Blunt Cable End
20 ft. – 7 Amp with 16/8 SOW Cable					
5168-20	600	7	6' Blunt Cable End, SOW	SOW	Blunt Cable End
20 ft. – 7.5 Amp with 14/12 SOW Cable					
51412-20	600	7.5	6' Blunt Cable End, SOW	SOW	Blunt Cable End
20 ft. – 7.5 Amp with 14/10 SOW Cable					
51410-20	600	7.5	6' Blunt Cable End, SOW	SOW	Blunt Cable End
20 ft. – 8 Amp with 16/6 SOW Cable					
5166-20	600	8	6' Blunt Cable End, SOW	SOW	Blunt Cable End
20 ft. – 8 Amp with 16/4 SOW Cable					
5164-20	600	8	6' Blunt Cable End, SOW	SOW	Blunt Cable End
20 ft. – 10 Amp with 16/3 SOW Cable					
5163-20	600	10	6' Blunt Cable End, SOW	SOW	Blunt Cable End
5163-20-1610CW6P**	125	10	6' Blunt Cable End, SOW	SOW	Industrial Grade 5-15C Connector
20 ft. – 10.5 Amp with 14/8 SOW Cable					
5148-20	600	10.5	6' Blunt Cable End, SOW	SOW	Blunt Cable End
20 ft. – 12 Amp with 14/6 SOW Cable					
5146-20	600	12	6' Blunt Cable End, SOW	SOW	Blunt Cable End
20 ft. – 12 Amp with 14/6 SOW Cable					
5144-20	600	12	6' Blunt Cable End, SOW	SOW	Blunt Cable End
20 ft. – 14 Amp with 12/8 SOW Cable					
5128-20	600	14	6' Blunt Cable End, SOW	SOW	Blunt Cable End
20 ft. – 15 Amp with 14/3 SOW Cable					
5143-20	600	14	6' Blunt Cable End, SOW	SOW	Blunt Cable End
20 ft. – 16 Amp with 12/6 SOW Cable					
5126-20	600	16	6' Blunt Cable End, SOW	SOW	Blunt Cable End
20 ft. – 16 Amp with 12/5 SOW Cable					
5125-20	600	16	6' Blunt Cable End, SOW	SOW	Blunt Cable End

UL & CSA listed, unless noted.

*UL Listed

**Comprised of listed and recognized components

***CSA Listed

Selection Guide

5000 Series - 20-30 ft

Part Number	Volts	Amps	Primary Cable	Secondary Cable Type	Secondary
20 ft. – 16 Amp with 12/4 SOW Cable					
5124-20	600	16	6' Blunt Cable End, SOW	SOW	Blunt Cable End
5124-20-B20	125	16	6' Blunt Cable End, SOW	SOW	Non-Metallic Outlet Box (6000) w/ (2) 5-20R Dplx. Rcpts.
20 ft. – 20 Amp with 12/3 SOW Cable					
5123-20	600	20	6' Blunt Cable End, SOW	SOW	Blunt Cable End
20 ft. – 20 Amp with 10/6 SOW Cable					
5106-20	600	20	6' Blunt Cable End, SOW	SOW	Blunt Cable End
20 ft. – 20 Amp with 10/4 SOW Cable					
5104-20-1612PWX	125	20	6' Blunt Cable End, SOW	SOW	Non-Metallic Outlet Box (PWX) & Wire Mesh w/ (2) 5-20R Dplx. Rcpts.
5104-20	600	20	6' Blunt Cable End, SOW	SOW	Blunt Cable End
20 ft. – 25 Amp with 10/3 SOW Cable					
5103-20	600	25	6' Blunt Cable End, SOW	SOW	Blunt Cable End
30 ft. – 5 Amp with 16/12 SOW Cable					
51612-30	600	5	6' Blunt Cable End, SOW	SOW	Blunt Cable End
30 ft. – 5 Amp with 16/10 SOW Cable					
51610-30	600	5	6' Blunt Cable End, SOW	SOW	Blunt Cable End
30 ft. – 7 Amp with 16/8 SOW Cable					
5168-30	600	7	6' Blunt Cable End, SOW	SOW	Blunt Cable End
30 ft. – 7.5 Amp with 14/10 SOW Cable					
51410-30*	600	7.5	6' Blunt Cable End, SOW	SOW	Blunt Cable End
30 ft. – 8 Amp with 8/8 SOW Cable					
5188-30	600	8	6' Blunt Cable End, SOW	SOW	Blunt Cable End
30 ft. – 8 Amp with 16/6 SOW Cable					
5166-30	600	8	6' Blunt Cable End, SOW	SOW	Blunt Cable End
30 ft. – 8 Amp with 16/4 SOW Cable					
5164-30	600	8	6' Blunt Cable End, SOW	SOW	Blunt Cable End
30 ft. – 10 Amp with 16/3 SOW Cable					
5163-30	600	10	6' Blunt Cable End, SOW	SOW	Blunt Cable End
30 ft. – 10.5 Amp with 14/8 SOW Cable					
5148-30	600	10.5	6' Blunt Cable End, SOW	SOW	Blunt Cable End
30 ft. – 12 Amp with 14/6 SOW Cable					
5146-30	600	12	6' Blunt Cable End, SOW	SOW	Blunt Cable End

UL & CSA listed, unless noted.

*UL Listed

**Comprised of listed and recognized components

***CSA Listed

Selection Guide

5000 Series- 30ft

Part Number	Volts	Amps	Primary Cable	Secondary Cable Type	Secondary
30 ft. – 12 Amp with 14/4 SOW Cable					
5144-30	600	12	6' Blunt Cable End, SOW	SOW	Blunt Cable End
30 ft. – 14 Amp with 12/8 SOW Cable					
5128-30	600	14	6' Blunt Cable End, SOW	SOW	Blunt Cable End
30 ft. – 15 Amp with 14/3 SOW Cable					
5143-30	600	15	6' Blunt Cable End, SOW	SOW	Blunt Cable End
30 ft. – 15 Amp with 10/3 SOW Cable					
5103-30-B**	600	15	6' Blunt Cable End, SOW	SOW	Non-Metallic Outlet Box (6000) w/ (2) 5-15R Dplx. Rcpts.
30 ft. – 16 Amp with 12/6 SOW Cable					
5126-30	600	16	6' Blunt Cable End, SOW	SOW	Blunt Cable End
30 ft. – 16 Amp with 12/5 SOW Cable					
5125-30	600	16	6' Blunt Cable End, SOW	SOW	Blunt Cable End
30 ft. – 16 Amp with 12/4 SOW Cable					
5124-30	600	16	6' Blunt Cable End, SOW	SOW	Blunt Cable End
30 ft. – 20 Amp with 12/3 SOW Cable					
5123-30	600	20	6' Blunt Cable End, SOW	SOW	Blunt Cable End
30 ft. – 20 Amp with 10/6 SOW Cable					
5106-30	600	20	6' Blunt Cable End, SOW	SOW	Blunt Cable End
30 ft. – 20 Amp with 10/5 SOW Cable					
5105-30	600	20	6' Blunt Cable End, SOW	SOW	Blunt Cable End
30 ft. – 20 Amp with 10/4 SOW Cable					
5104-30	600	20	6' Blunt Cable End, SOW	SOW	Blunt Cable End
30 ft. – 20 Amp with 12/3 SOW Cable					
5123-30-1612CG**	125	20	6' Blunt Cable End, SOW	SOW	Industrial Grade 5-20C Connector
5123-30-BG-20**	125	20	6' Blunt Cable End, SOW	SOW	Non-Metallic Outlet Box (6000) w/ (1) 5-20 GFCI Duplex & (1) 5-20 Duplex
5123-30-B**	125	20	6' Blunt Cable End, SOW	SOW	Non-Metallic Outlet Box (6000) w/ (2) 5-15R Dplx. Rcpts.
5123-30-1612PWDX**	125	20	6' Blunt Cable End, SOW	SOW	Non-Metallic Outlet Box (PWDX) & Wire Mesh w/ (2) 5-20R Dplx. Rcpts.
30 ft. – 25 Amp with 10/3 SOW Cable					
5103-30	600	25	6' Blunt Cable End, SOW	SOW	Blunt Cable End

UL & CSA listed, unless noted.

*UL Listed

**Comprised of listed and recognized components

***CSA Listed

Selection Guide

5000 Series- 40ft

Part Number	Volts	Amps	Primary Cable	Secondary Cable Type	Secondary
40 ft. – 5 Amp with 16/12 SOW Cable					
51612-40	600	5	6' Blunt Cable End, SOW	SOW	Blunt Cable End
40 ft. – 5 Amp with 16/10 SOW Cable					
51610-40	600	5	6' Blunt Cable End, SOW	SOW	Blunt Cable End
40 ft. – 7 Amp with 16/8 SOW Cable					
5168-40	600	7	6' Blunt Cable End, SOW	SOW	Blunt Cable End
40 ft. – 8 Amp with 16/6 SOW Cable					
5166-40	600	8	6' Blunt Cable End, SOW	SOW	Blunt Cable End
40 ft. – 8 Amp with 16/4 SOW Cable					
5164-40	600	8	6' Blunt Cable End, SOW	SOW	Blunt Cable End
40 ft. – 10 Amp with 12/3 SOW Cable					
5123-40	600	10	6' Blunt Cable End, SOW	SOW	Blunt Cable End
40 ft. – 12 Amp with 14/6 SOW Cable					
5146-40	600	12	6' Blunt Cable End, SOW	SOW	Blunt Cable End
40 ft. – 12 Amp with 14/4 SOW Cable					
5144-40	600	12	6' Blunt Cable End, SOW	SOW	Blunt Cable End
40 ft. – 14 Amp with 12/8 SOW Cable					
5128-40	600	14	6' Blunt Cable End, SOW	SOW	Blunt Cable End
40 ft. – 15 Amp with 14/3 SOW Cable					
5143-40	600	15	6' Blunt Cable End, SOW	SOW	Blunt Cable End
5143-40-HSS**	125	15	6' Blunt Cable End, SOW	SOW	Handlamp (944-RS) w/ 5-15R, on/off switch & (104-R) Metal Guard

UL & CSA listed, unless noted.

*UL Listed

**Comprised of listed and recognized components

***CSA Listed

Selection Guide

5000 Series - 50ft

Part Number	Volts	Amps	Primary Cable	Secondary Cable Type	Secondary
50 ft., 7A with 16/8 SOW cable					
5168-50	600	7	SOW	Blunt Cable End @ 6 ft	Blunt Cable End
50 ft., 8A with 16/6 SOW cable					
5166-50	600	8	SOW	Blunt Cable End @ 6 ft	Blunt Cable End
50 ft., 8A with 16/4 SOW cable					
5164-50	600	8	SOW	Blunt Cable End @ 6 ft	Blunt Cable End
50 ft., 10A with 16/3 SOW cable					
5163-50	600	10	SOW	Blunt Cable End @ 6 ft	Blunt Cable End
5163-50-B **	125	10	SOW	Blunt Cable End @ 6 ft	Nonmetallic Outlet Box (6000) w/ 2 NEMA 5-15R Duplex Receptacles
50 ft., 10.5A with 14/8 SOW cable					
5148-50 **	600	10.5	SOW	Blunt Cable End @ 6 ft	Blunt Cable End
50 ft., 12A with 14/6 SOW cable					
5146-50	600	12	SOW	Blunt Cable End @ 6 ft	Blunt Cable End
50 ft., 12A with 14/4 SOW cable					
5144-50	600	12	SOW	Blunt Cable End @ 6 ft	Blunt Cable End
50 ft., 15A with 14/3 SOW cable					
5143-50	600	15	SOW	Blunt Cable End @ 6 ft	Blunt Cable End
50 ft., 15A with 16/3 SOW cable					
5163-50-HS **	125	10	SJOW	Blunt Cable End @ 6 ft	Handlamp (744-RS) w/ on/off switch & (104-R) Metal Guard
5163-50-HSS **	125	10	SJOW	Blunt Cable End @ 6 ft	Handlamp (944-RS) w/ 5-15 receptacle, on/off switch & (104-R) Metal Guard
50 ft., 15A with 14/3 SOW cable					
5143-50-BG **	125	15	SOW	Blunt Cable End @ 6 ft with Inline GFCI	Nonmetallic Outlet Box (6000) w/ 2 NEMA 5-15R Duplex Receptacles
5143-50-B **	125	15	SOW	Blunt Cable End @ 6 ft	Nonmetallic Outlet Box (6000) w/ 2 NEMA 5-15R Duplex Receptacles
50 ft., 15A with 12/3 SOW cable					
5123-50-BG **	125	15	SOW	Blunt Cable End @ 6 ft with Inline GFCI	Nonmetallic Outlet Box (6000) w/ 2 NEMA 5-15R Duplex Receptacles
5123-50-B **	125	15	SOW	Blunt Cable End @ 6 ft	Nonmetallic Outlet Box (6000) w/ 2 NEMA 5-15R Duplex Receptacles
5123-50-B20 **	125	15	SOW	Blunt Cable End @ 6 ft	Nonmetallic Outlet Box (6000) w/ 2 NEMA 5-20R Duplex Receptacles
50 ft., 16A with 12/5 SOW cable					
5125-50 **	600	16	SOW	Blunt Cable End @ 6 ft	Blunt Cable End

UL & CSA listed, unless noted.

*UL Listed

**Comprised of listed and recognized components

***CSA Listed

Note: Custom lengths available, consult factory.

Selection Guide

5000 Series - 50 to 80ft

50 ft., 16A with 12/4 SOW cable					
5124-50	600	16	SOW	Blunt Cable End @ 6 ft	Blunt Cable End
5124-50-B20	125	16	SOW	Blunt Cable End @ 6 ft	Nonmetallic Outlet Box (6000) w/ 2 NEMA 5-20R Duplex Receptacles
50 ft., 20A with 12/3 SOW cable					
5123-50	600	20	SOW	Blunt Cable End @ 6 ft	Blunt Cable End
5123-50-1612CW6P	125	20	SOW	Blunt Cable End @ 6 ft	Industrial grade Watertight Connector NEMA 5-20C
5123-50-1612CG **	125	20	SOW	Blunt Cable End @ 6 ft	Industrial grade Connector NEMA 5-20C
5123-50-BG-20 **	125	20	SOW	Blunt Cable End @ 6 ft	Nonmetallic Outlet Box with 1 NEMA 5-20 GFCI Duplex & 1 NEMA 5-20 Duplex Receptacles
5123-50-1612PWDX **	125	20	SOW	Blunt Cable End @ 6 ft	Nonmetallic Outlet Box (PWDX) & Wire Mesh w/ 2 NEMA 5-20R Duplex Receptacles
50 ft., 20A with 10/4 SOW cable					
5104-50	600	20	SOW	Blunt Cable End @ 6 ft	Blunt Cable End
50 ft., 25A with 10/3 SOW cable					
5103-50	600	25	SOW	Blunt Cable End @ 6 ft	Blunt Cable End
60 ft., 8A with 16/4 SOW cable					
5164-60	600	8	SOW	Blunt Cable End @ 6 ft	Blunt Cable End
60 ft., 10A with 16/3 SOW cable					
5163-60	600	10	SOW	Blunt Cable End @ 6 ft	Blunt Cable End
60 ft., 12A with 14/4 SOW cable					
5144-60	600	12	SOW	Blunt Cable End @ 6 ft	Blunt Cable End
60 ft., 15A with 14/3 SOW cable					
5143-60	600	15	SOW	Blunt Cable End @ 6 ft	Blunt Cable End
60 ft., 20A with 12/3 SOW cable					
5123-60	600	20	SOW	Blunt Cable End @ 6 ft	Blunt Cable End
70 ft., 8A with 16/4 SOW cable					
5164-70	600	8	SOW	Blunt Cable End @ 6 ft	Blunt Cable End
70 ft., 10A with 16/3 SOW cable					
5163-70	600	10	SOW	Blunt Cable End @ 6 ft	Blunt Cable End
70 ft., 15A with 14/3 SOW cable					
5143-70	600	15	SOW	Blunt Cable End @ 6 ft	Blunt Cable End
80 ft., 10A with 16/3 SOW cable					
5163-80 ***	600	10	SOW	Blunt Cable End @ 6 ft	Blunt Cable End

UL & CSA listed, unless noted.

*UL Listed

**Comprised of listed and recognized components

***CSA Listed

Note: Custom lengths available, consult factory.

5000 Series

Secondary Accessories

Power Accessories



6000 Series Outlet Box



GFCI Duplex



1610 CW6P



1612 PWDX Outlet Box



Handlamp 944-RS

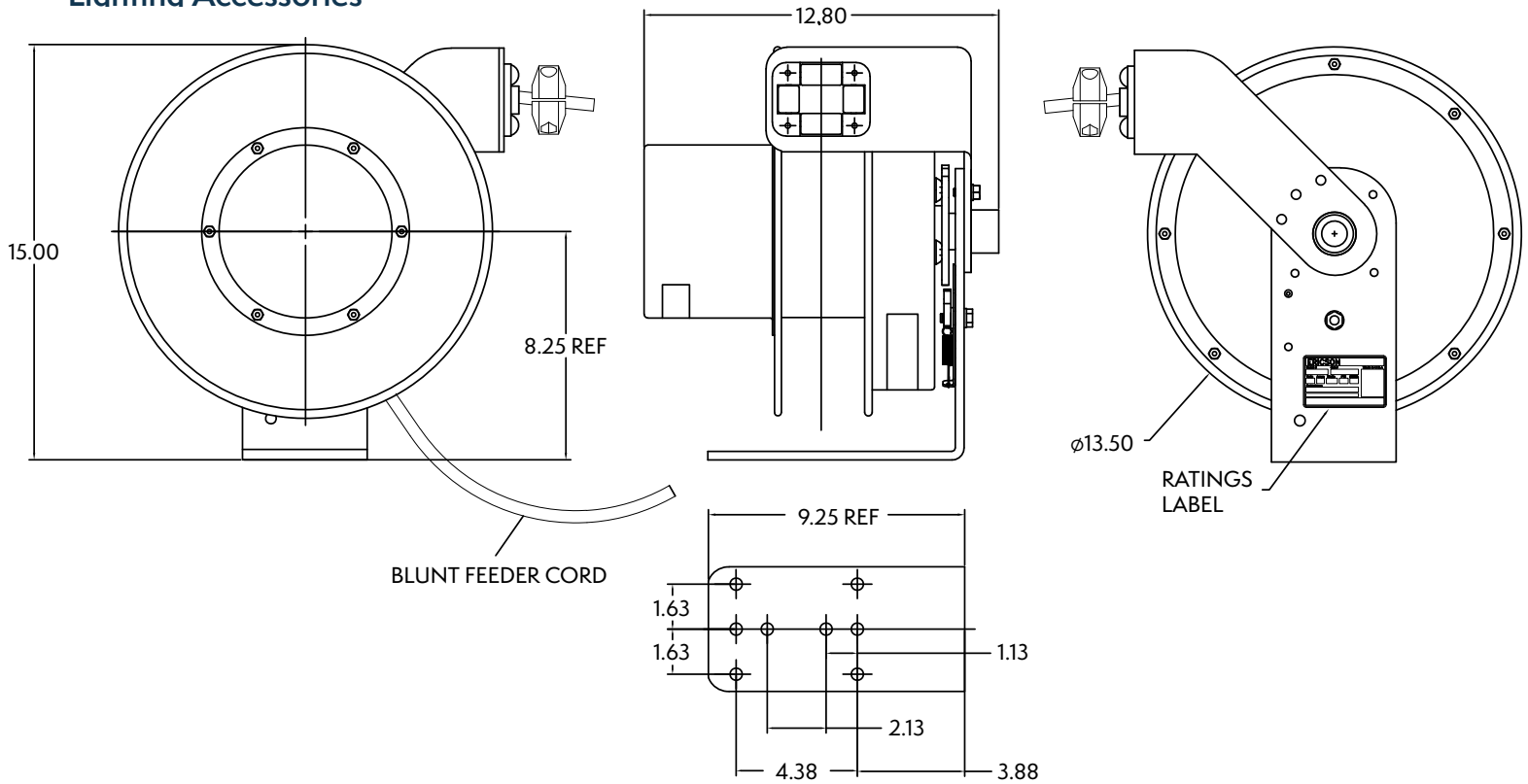
Secondary Accessories Overview

Part #	Description
-B/-BG	Non-Metallic Outlet Box (6000) w/ (2) 5-15R Dplx. Rcpts.
-B20	Non-Metallic Outlet Box (6000) w/ (2) 5-20R Dplx. Rcpts.
-BG20	Non-Metallic Outlet Box w/ (1) 5-20 GFCI Duplex & (1) 5-20 Duplex
-1610CW6P	Industrial Grade 5-15C Connector, Watertight Connector & Sealing Cap
-1612CG	Industrial Grade 5-20C Connector
-1612PWDX	Non-Metallic Outlet Box (PWDX) & Wire Mesh w/ (2) 5-20R Dplx. Rcpts.
-HSS	Handlamp (944-RS) w/ 5-15R, on/off switch & (104-R) Metal Guard

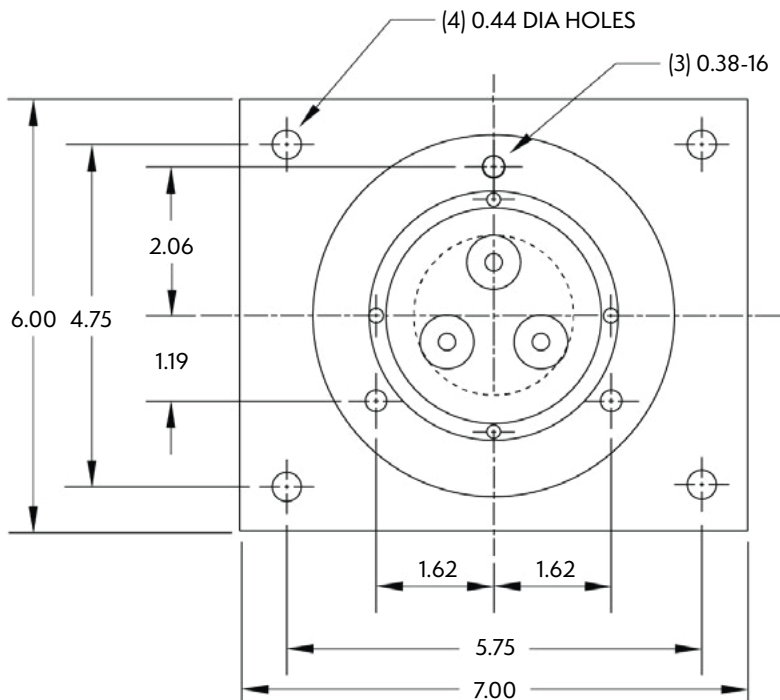


5000 Series, Dimensions

Lighting Accessories



Pivot Base, PB-45



6000/7000 Series

Industrial Grade Cord Reels

35-150-Amp, 125 -600-Volt



Industry Leading Features:

- cULus listed for both US and Canada
- Made in USA
- Ratings through 35A-150A
 - 250V: 4 or more conductors
 - 600V: 1-4 conductors
- Cable Ranges:
 - SOOW-A
 - Type W
 - Type G-GC
- Available with and without feeder cable
- Operating Temperature Range: -22°F to 86°F (-30°C to 30°C)
- Designed for indoor and outdoor use
- Ratchet style return
- Easy ratched lock-out for constant tension and return
- Adjustable guide arm with 12 positions for easy payout positioning
- Rugged, all steel construction
- Yellow powder coat finish standard
- Sealed, lifetime lubricated spring motor canister for easy and safe spring replacement
- NEMA 4 enclosed precision slip ring assembly for contacts and grounded slip ring
- 2-piece roller guide can be repositioned to 4 different locations
- 4-roller guides for direct or lateral pull-outs
- Adjustable ball stop included in 3 & 4 conductor reels, other styles optional
- Wide range of secondary power attachments
- Pivot base available for 345-degree swivel applications
- [See page 43 for Reel Accessories](#)



Applications:

- Utility trucks
- Indoor and outdoor vehicle heater or charging power
- Emergency vehicle power
- Welding applications
- Large cable-end accessories
- Aviation hangars
- Class A-C overhead cranes/hoists
- Automated material handling
- High amperage, multi-circuit power
- Truck body power
- Worksite elevators & hoists
- Truck cranes & ladder trucks

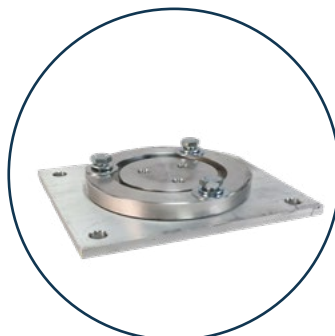
Unique Features:



2-piece roller guide can be repositioned to 4 different locations



Sealed, lifetime lubricated spring motor canister for easy and safe spring replacement



Pivot base available for 345-degree swivel applications



Wide range of primary connection & secondary power/lighting attachments

Selection Guide

6000 Series - 20 to 60ft

Part Number	Volts	Amps	Primary Cable	Secondary Cable Type	Secondary
20 ft. – 40 Amp with 8/4 SOW Cable					
6084-20	600	40	1" NPT Fem. Feeder Hub for Field Installation to Slip Ring	Type W	Blunt Cable End
20 ft. – 45 Amp with 8/3 SOW Cable					
6083-20	600	45	1" NPT Fem. Feeder Hub for Field Installation to Slip Ring	Type W	Blunt Cable End
30 ft. – 40 Amp with 8/4 SOW Cable					
6084-30	600	40	1" NPT Fem. Feeder Hub for Field Installation to Slip Ring	Type W	Blunt Cable End
30 ft. – 45 Amp with 8/3 SOW Cable					
6083-30	600	45	1" NPT Fem. Feeder Hub for Field Installation to Slip Ring	Type W	Blunt Cable End
30 ft. – 45 Amp with 6/4 SOW Cable					
6064-30	600	25	1" NPT Fem. Feeder Hub for Field Installation to Slip Ring	Type W	Blunt Cable End
30 ft. – 50 Amp with 6/3 SOW Cable					
6063-30	600	50	1" NPT Fem. Feeder Hub for Field Installation to Slip Ring	Type W	Blunt Cable End
40 ft. – 5 Amp with 16/20 SOW Cable					
61620-40	600	5	1" NPT Fem. Feeder Hub for Field Installation to Slip Ring	SOW	Blunt Cable End
40 ft. – 35 Amp with 8/4 SOW Cable					
6084-40	600	35	1" NPT Fem. Feeder Hub for Field Installation to Slip Ring	Type W	Blunt Cable End
40 ft. – 45 Amp with 8/3 SOW Cable					
6083-40	600	45	1" NPT Fem. Feeder Hub for Field Installation to Slip Ring	Type W	Blunt Cable End
50 ft. – 14 Amp with 10/5 SOW Cable					
6105-50	600	14	1" NPT Fem. Feeder Hub for Field Installation to Slip Ring	SOW	Blunt Cable End
50 ft. – 14 Amp with 10/4 SOW Cable					
6104-50	600	14	1" NPT Fem. Feeder Hub for Field Installation to Slip Ring	SOW	Blunt Cable End
50 ft. – 35 Amp with 8/4 SOW Cable					
6084-50	600	35	1" NPT Fem. Feeder Hub for Field Installation to Slip Ring	Type W	Blunt Cable End
50 ft. – 40 Amp with 8/3 SOW Cable					
6083-50	600	40	1" NPT Fem. Feeder Hub for Field Installation to Slip Ring	Type W	Blunt Cable End
60 ft. – 10.5 Amp with 12/8 SOW Cable					
6128-60	600	10.5	1" NPT Fem. Feeder Hub for Field Installation to Slip Ring	SOW	Blunt Cable End
60 ft. – 14 Amp with 10/5 SOW Cable					
6105-60	600	14	1" NPT Fem. Feeder Hub for Field Installation to Slip Ring	SOW	Blunt Cable End

cULus Listed, unless noted.

**Comprised of listed and recognized components

***CSA Listed

Selection Guide

6000 Series - 60 to 80ft

Part Number	Volts	Amps	Primary Cable	Secondary Cable Type	Secondary
60 ft. – 18.5 Amp with 10/3 SOW Cable					
6103-60	600	18.5	1" NPT Fem. Feeder Hub for Field Installation to Slip Ring	SOW	Blunt Cable End
70 ft. – 6.5 Amp with 16/4 SOW Cable					
6164-70	600	6.5	1" NPT Fem. Feeder Hub for Field Installation to Slip Ring	SOW	Blunt Cable End
70 ft. – 9 Amp with 14/4 SOW Cable					
6144-70	600	9	1" NPT Fem. Feeder Hub for Field Installation to Slip Ring	SOW	Blunt Cable End
70 ft. – 12 Amp with 14/3 SOW Cable					
6143-70	600	12	1" NPT Fem. Feeder Hub for Field Installation to Slip Ring	SOW	Blunt Cable End
6143-70-BG**	125	12	1" NPT Fem. Feeder Hub for Field Installation to Slip Ring	SOW	Non-Metallic Outlet Box w/ (1) 5-15 GFCI Dplx. & (1) 5-15 Dplx.
70 ft. – 14 Amp with 10/5 SOW Cable					
6105-70	600	14	1" NPT Fem. Feeder Hub for Field Installation to Slip Ring	SOW	Blunt Cable End
70 ft. – 14 Amp with 10/4 SOW Cable					
6104-70	600	14	1" NPT Fem. Feeder Hub for Field Installation to Slip Ring	SOW	Blunt Cable End
70 ft. – 16 Amp with 12/4 SOW Cable					
6124-70	600	16	1" NPT Fem. Feeder Hub for Field Installation to Slip Ring	SOW	Blunt Cable End
70 ft. – 16 Amp with 12/3 SOW Cable					
6123-70	600	16	1" NPT Fem. Feeder Hub for Field Installation to Slip Ring	SOW	Blunt Cable End
6123-70-BG**	125	16	1" NPT Fem. Feeder Hub for Field Installation to Slip Ring	SOW	Non-Metallic Outlet Box w/ (1) 5-20 GFCI Dplx. & (1) 5-20 Dplx.
70 ft. – 18.5 Amp with 10/3 SOW Cable					
6103-70	600	18.5	1" NPT Fem. Feeder Hub for Field Installation to Slip Ring	SOW	Blunt Cable End
80 ft. – 6.5 Amp with 16/4 SOW Cable					
6164-80	600	6.5	1" NPT Fem. Feeder Hub for Field Installation to Slip Ring	SOW	Blunt Cable End
80 ft. – 8 Amp with 16/3 SOW Cable					
6163-80	600	8	1" NPT Fem. Feeder Hub for Field Installation to Slip Ring	SOW	Blunt Cable End
80 ft. – 9 Amp with 14/4 SOW Cable					
6144-80	600	9	1" NPT Fem. Feeder Hub for Field Installation to Slip Ring	SOW	Blunt Cable End
80 ft. – 14 Amp with 10/4 SOW Cable					
6104-80	600	14	1" NPT Fem. Feeder Hub for Field Installation to Slip Ring	SOW	Blunt Cable End
80 ft. – 15 Amp with 12/3 SOW Cable					
6123-80-1612PWDX**	125	15	1" NPT Fem. Feeder Hub for Field Installation to Slip Ring	SOW	Non-Metallic Outlet Box (PWDX) w/ (1) 5-20 Dplx. Rcpts.
80 ft. – 16 Amp with 12/4 SOW Cable					
6124-80	600	16	1" NPT Fem. Feeder Hub for Field Installation to Slip Ring	SOW	Blunt Cable End

cULus Listed, unless noted.

**Comprised of listed and recognized components

Selection Guide

6000 Series - 80 to 100ft

Part Number	Volts	Amps	Primary Cable	Secondary Cable Type	Secondary
80 ft. – 16 Amp with 12/3 SOW Cable					
6123-80	600	16	1" NPT Fem. Feeder Hub for Field Installation to Slip Ring	SOW	Blunt Cable End
90 ft. – 6.5 Amp with 16/4 SOW Cable					
6164-90	600	6.5	1" NPT Fem. Feeder Hub for Field Installation to Slip Ring	SOW	Blunt Cable End
90 ft. – 8 Amp with 16/3 SOW Cable					
6163-90	600	8	1" NPT Fem. Feeder Hub for Field Installation to Slip Ring	SOW	Blunt Cable End
90 ft. – 9 Amp with 14/4 SOW Cable					
6144-90	600	9	1" NPT Fem. Feeder Hub for Field Installation to Slip Ring	SOW	Blunt Cable End
90 ft. – 12 Amp with 14/3 SOW Cable					
6143-90	600	12	1" NPT Fem. Feeder Hub for Field Installation to Slip Ring	SOW	Blunt Cable End
90 ft. – 14 Amp with 10/4 SOW Cable					
6104-90	600	14	1" NPT Fem. Feeder Hub for Field Installation to Slip Ring	SOW	Blunt Cable End
90 ft. – 16 Amp with 12/4 SOW Cable					
6124-90	600	16	1" NPT Fem. Feeder Hub for Field Installation to Slip Ring	SOW	Blunt Cable End
90 ft. – 16 Amp with 12/3 SOW Cable					
6123-90	600	16	1" NPT Fem. Feeder Hub for Field Installation to Slip Ring	SOW	Blunt Cable End
90 ft. – 18.5 Amp with 10/3 SOW Cable					
6103-90	600	18.5	1" NPT Fem. Feeder Hub for Field Installation to Slip Ring	SOW	Blunt Cable End
100 ft. – 6.5 Amp with 16/4 SOW Cable					
6164-100	600	6.5	1" NPT Fem. Feeder Hub for Field Installation to Slip Ring	SOW	Blunt Cable End
100 ft. – 8 Amp with 16/3 SOW Cable					
6163-100	600	8	1" NPT Fem. Feeder Hub for Field Installation to Slip Ring	SOW	Blunt Cable End
100 ft. – 9 Amp with 14/4 SOW Cable					
6144-100	600	9	1" NPT Fem. Feeder Hub for Field Installation to Slip Ring	SOW	Blunt Cable End
100 ft. – 12 Amp with 14/3 SOW Cable					
6143-100	600	12	1" NPT Fem. Feeder Hub for Field Installation to Slip Ring	SOW	Blunt Cable End
100 ft. – 14 Amp with 10/4 SOW Cable					
6104-100	600	14	1" NPT Fem. Feeder Hub for Field Installation to Slip Ring	SOW	Blunt Cable End
100 ft. – 15 Amp with 12/3 SOW Cable					
6123-100-B**	125	15	1" NPT Fem. Feeder Hub for Field Installation to Slip Ring	SOW	Blunt Cable End
100 ft. – 16 Amp with 12/4 SOW Cable					
6124-100	600	16	1" NPT Fem. Feeder Hub for Field Installation to Slip Ring	SOW	Blunt Cable End

cULus Listed, unless noted.

**Comprised of listed and recognized components

Selection Guide

6000 Series - 100 to 150ft

Part Number	Volts	Amps	Primary Cable	Secondary Cable Type	Secondary
100 ft. – 16 Amp with 12/3 SOW Cable					
6123-100	600	16	1" NPT Fem. Feeder Hub for Field Installation to Slip Ring	SOW	Blunt Cable End
6123-100-1612PWDX**	600	16	1" NPT Fem. Feeder Hub for Field Installation to Slip Ring	SOW	Non-Metallic Outlet Box (PWDX) w/ (1) 5-20 Duplex
100 ft. – 18.5 Amp with 10/3 SOW Cable					
6103-100	600	18.5	1" NPT Fem. Feeder Hub for Field Installation to Slip Ring	SOW	Blunt Cable End
125 ft. – 6 Amp with 16/4 SOW Cable					
6164-125	600	6	1" NPT Fem. Feeder Hub for Field Installation to Slip Ring	SOW	Blunt Cable End
125 ft. – 7 Amp with 16/3 SOW Cable					
6163-125	600	7	1" NPT Fem. Feeder Hub for Field Installation to Slip Ring	SOW	Blunt Cable End
125 ft. – 10.5 Amp with 14/3 SOW Cable					
6143-125	600	10.5	1" NPT Fem. Feeder Hub for Field Installation to Slip Ring	SOW	Blunt Cable End
150 ft. – 7 Amp with 16/3 SOW Cable					
6163-150	600	7	1" NPT Fem. Feeder Hub for Field Installation to Slip Ring	SOW	Blunt Cable End

cULus Listed, unless noted.

**Comprised of listed and recognized components

Selection Guide

7000 Series - 30 to 70ft

Part Number	Volts	Amps	Primary Cable	Secondary Cable Type	Secondary
30 ft. – 75 Amp with 4/3 Type W Cable					
7043-30	600	75	1" NPT Fem. Feeder Hub for Field Installation to Slip Ring	Type W	Blunt Cable End
40 ft. – 50 Amp with 6/5 Type W Cable					
7065-40**	600	50	1" NPT Fem. Feeder Hub for Field Installation to Slip Ring	Type W	Blunt Cable End
50 ft. – 40 Amp with 6/4 Type W Cable					
7064-50	600	40	1" NPT Fem. Feeder Hub for Field Installation to Slip Ring	Type W	Blunt Cable End
50 ft. – 65 Amp with 4/3 Type W Cable					
7043-50	600	65	1" NPT Fem. Feeder Hub for Field Installation to Slip Ring	Type W	Blunt Cable End
60 ft. – 30 Amp with 8/4 Type W Cable					
7084-60	600	30	1" NPT Fem. Feeder Hub for Field Installation to Slip Ring	Type W	Blunt Cable End
70 ft. – 30 Amp with 8/4 Type W Cable					
7084-70	600	30	1" NPT Fem. Feeder Hub for Field Installation to Slip Ring	Type W	Blunt Cable End

cULus Listed, unless noted.

**Comprised of listed and recognized components

Selection Guide

7000 Series - 70 to 150ft

Part Number	Volts	Amps	Primary Cable	Secondary Cable Type	Secondary
70 ft. – 42 Amp with 6/3 Type W Cable					
7063-70	600	42	1" NPT Fem. Feeder Hub for Field Installation to Slip Ring	Type W	Blunt Cable End
80 ft. – 35 Amp with 8/3 Type W Cable					
7083-80**	600	35	1" NPT Fem. Feeder Hub for Field Installation to Slip Ring	Type W	Blunt Cable End
125 ft. – 8 Amp with 14/4 SOW Cable					
7144-125	600	8	1" NPT Fem. Feeder Hub for Field Installation to Slip Ring	SOW	Blunt Cable End
125 ft. – 13 Amp with 10/4 SOW Cable					
7104-125	600	13	1" NPT Fem. Feeder Hub for Field Installation to Slip Ring	SOW	Blunt Cable End
125 ft. – 14 Amp with 12/3 SOW Cable					
7123-125	600	14	1" NPT Fem. Feeder Hub for Field Installation to Slip Ring	SOW	Blunt Cable End
125 ft. – 14 Amp with 12/4 SOW Cable					
7124-125	600	14	1" NPT Fem. Feeder Hub for Field Installation to Slip Ring	SOW	Blunt Cable End
125 ft. – 16 Amp with 10/3 SOW Cable					
7103-125	600	16	1" NPT Fem. Feeder Hub for Field Installation to Slip Ring	SOW	Blunt Cable End
150 ft. – 5.5 Amp with 16/4 SOW Cable					
7164-150	600	5.5	1" NPT Fem. Feeder Hub for Field Installation to Slip Ring	SOW	Blunt Cable End
150 ft. – 8 Amp with 14/4 SOW Cable					
7144-150	600	8	1" NPT Fem. Feeder Hub for Field Installation to Slip Ring	SOW	Blunt Cable End
150 ft. – 10.5 Amp with 14/3 SOW Cable					
7143-150	600	10.5	1" NPT Fem. Feeder Hub for Field Installation to Slip Ring	SOW	Blunt Cable End
150 ft. – 14 Amp with 12/3 SOW Cable					
7123-150	600	14	1" NPT Fem. Feeder Hub for Field Installation to Slip Ring	SOW	Blunt Cable End
7123-150-BG20**	125	14	1" NPT Fem. Feeder Hub for Field Installation to Slip Ring	SOW	Non-Metallic Outlet Box w/ (1) 5-20 GFCI Duplex & (1) 5-20 Duplex

cULus Listed, unless noted.

**Comprised of listed and recognized components

6000 & 7000 Series Secondary Accessories

Part #	Description
-B/-BG	Non-Metallic Outlet Box (6000) w/ (2) 5-15R Dplx. Rcpts.
-BG20	Non-Metallic Outlet Box w/ (1) 5-20 GFCI Duplex & (1) 5-20 Duplex
-1612PWDX	Non-Metallic Outlet Box (PWDX) & Wire Mesh w/ (2) 5-20R Dplx. Rcpts.



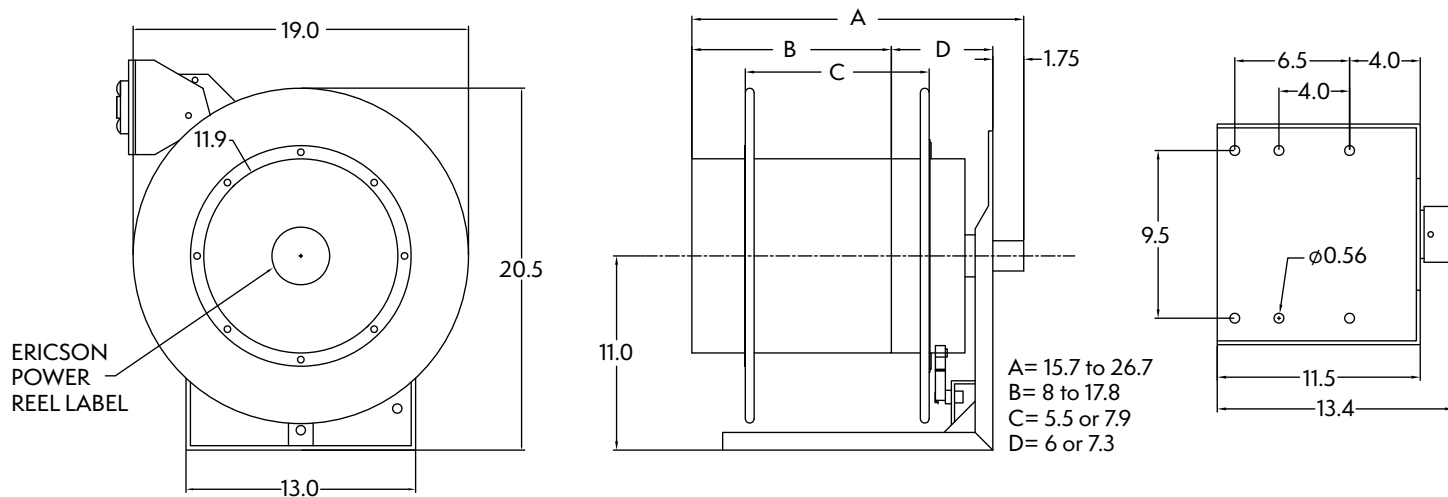
6000 Series Outlet Box

GFCI Duplex

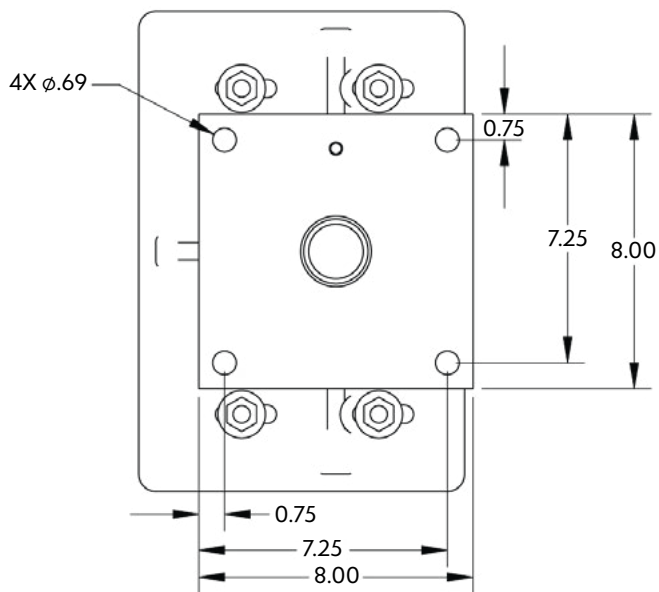


1612 PWDX Outlet Box

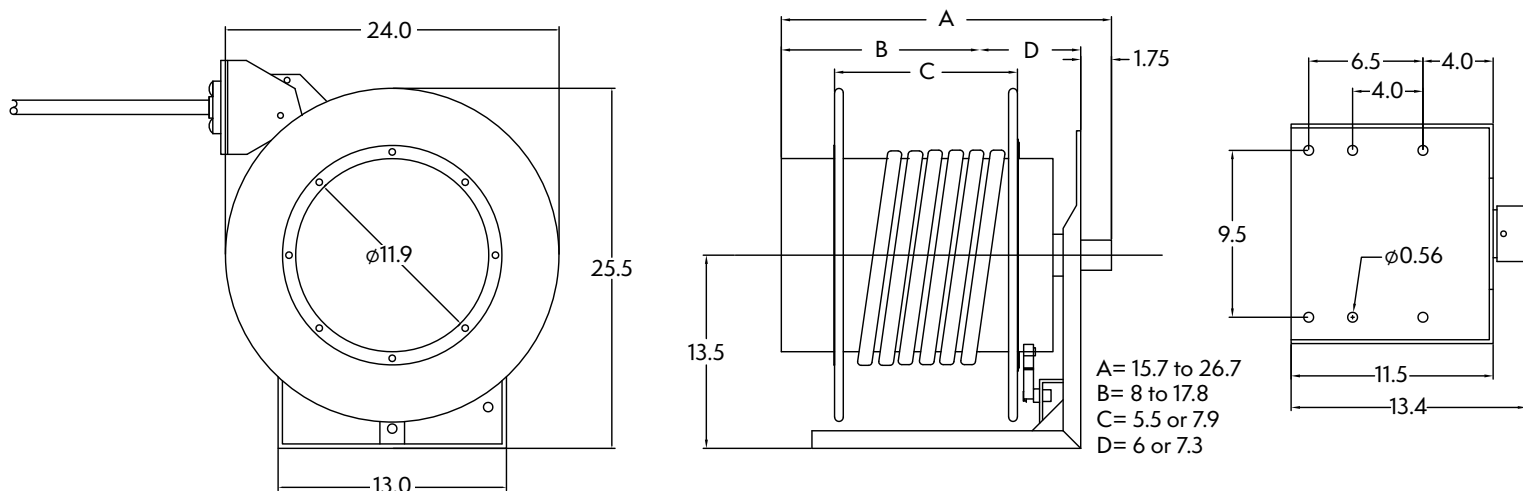
6000 Series, Dimensions



PB-67 Dimensions



7000 Series, Dimensions



8000 Series

Hazardous Location Cord Reels

.8-35-Amp, 125 -600-Volt



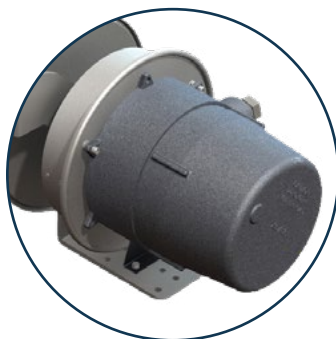
Hazardous Location Rating:

- Class I Division 1, Groups C & D (flammable gases or vapors)
- Class II Division 1, Groups E, F, & G (combustible dusts)
- Class III Division 1 (easily-ignitable fibers or flyings)
- Class I Zone 1: AEx d IIB, EX d IIB
- Conforms to NEMA 9 and NEMA 4 (IP56) standards

Unique Features:



Adjustable guide arm with 12 positions for easy payout positioning



Rugged, fabricated steel & cast aluminum construction



4-roller guides for direct or lateral pull-out and return



Wide range of primary connection & secondary power/lighting attachments

Industry Leading Features:

- UL 508C Table 36.1 / NEC Standards
- Made in USA
- Ratings through 35A
 - 250V: 5-12 conductors
 - 600V: 1-4 conductors
- SOW-A cable on all reels
- 6' feeder cable provided
- Operating Temperature Range: -22°F to 86°F (-30°C to 30°C)
- Designed for indoor and outdoor use
- Spring activated Ratchet
- Easy ratchet lock-out for constant tension and return
- Adjustable guide arm with 12 positions for easy payout positioning
- Rugged, fabricated steel and cast aluminum construction
- Gray epoxy finish on steel parts
- Threaded cast aluminum slip ring enclosure
- 4-roller guides for direct or lateral pull-out and return to minimize cable stress
- Adjustable ball stop included in 3 & 4 conductor reels
- Pivot base available for 345-degree swivel applications
- [See page 43 for Reel Accessories](#)

Applications:

- Hazardous location portable power & lighting
- Hazardous location stretch & retrieve
- Mining applications – coal tippers
- Hazardous location man-lifts & conveyors
- Conveyor control applications
- Hazardous automated material handling
- Grain elevator applications
- Refinery applications
- High-power, multi-circuit applications

Selection Guide

8000 Series

Part Number	Volts	Amps	Primary Cable	Secondary Cable Type	Secondary
20 ft. – 0.8 Amp with 16/3 SOW Cable					
8163-20-XPI**	125	0.8	6ft. Blunt SOW Feeder Cable	SOW	Haz. Location Handlamp (2600) w/ 11W LED Lamp
20 ft. – 0.8 Amp with 14/3 SOW Cable					
8143-20-XPI**	125	0.8	6ft. Blunt SOW Feeder Cable	SOW	Haz. Location Handlamp (2600) w/ 11W LED Lamp
20 ft. – 8 Amp with 16/4 SOW Cable					
8164-20	600	8	6ft. Blunt SOW Feeder Cable	SOW	Blunt Cable End
20 ft. – 10 Amp with 16/3 SOW Cable					
8163-20	600	10	6ft. Blunt SOW Feeder Cable	SOW	Blunt Cable End
20 ft. – 12 Amp with 14/4 SOW Cable					
8144-20	600	12	6ft. Blunt SOW Feeder Cable	SOW	Blunt Cable End
20 ft. – 15 Amp with 14/3 SOW Cable					
8143-20	600	15	6ft. Blunt SOW Feeder Cable	SOW	Blunt Cable End
30 ft. – 15 Amp with 14/3 SOW Cable					
8143-30	600	15	6ft. Blunt SOW Feeder Cable	SOW	Blunt Cable End
30 ft. – 20 Amp with 12/3 SOW Cable					
8123-30	600	20	6ft. Blunt SOW Feeder Cable	SOW	Blunt Cable End
40 ft. – 0.8 Amp with 16/3 SOW Cable					
8163-40-XPI**	125	0.8	6ft. Blunt SOW Feeder Cable	SOW	Haz. Location Handlamp (2600) w/ 11W LED Lamp
40 ft. – 8 Amp with 16/4 SOW Cable					
8164-40	600	8	6ft. Blunt SOW Feeder Cable	SOW	Blunt Cable End
40 ft. – 10 Amp with 16/3 SOW Cable					
8163-40	600	10	6ft. Blunt SOW Feeder Cable	SOW	Blunt Cable End
40 ft. – 12 Amp with 14/4 SOW Cable					
8144-40	600	12	6ft. Blunt SOW Feeder Cable	SOW	Blunt Cable End
40 ft. – 15 Amp with 14/3 SOW Cable					
8143-40	600	15	6ft. Blunt SOW Feeder Cable	SOW	Blunt Cable End
50 ft. – 0.8 Amp with 16/3 SOW Cable					
8163-50-XPI**	600	0.8	6ft. Blunt SOW Feeder Cable	SOW	Haz. Location Handlamp (2600) w/ 11W LED Lamp
50 ft. – 0.8 Amp with 14/3 SOW Cable					
8143-50-XPI**	600	0.8	6ft. Blunt SOW Feeder Cable	SOW	Haz. Location Handlamp (2600) w/ 11W LED Lamp
50 ft. – 8 Amp with 16/4 SOW Cable					
8164-50	600	8	6ft. Blunt SOW Feeder Cable	SOW	Blunt Cable End
50 ft. – 10 Amp with 16/3 SOW Cable					
8163-50	600	10	6ft. Blunt SOW Feeder Cable	SOW	Blunt Cable End

UL Listed, unless noted.

**Comprised of listed and recognized components

Selection Guide

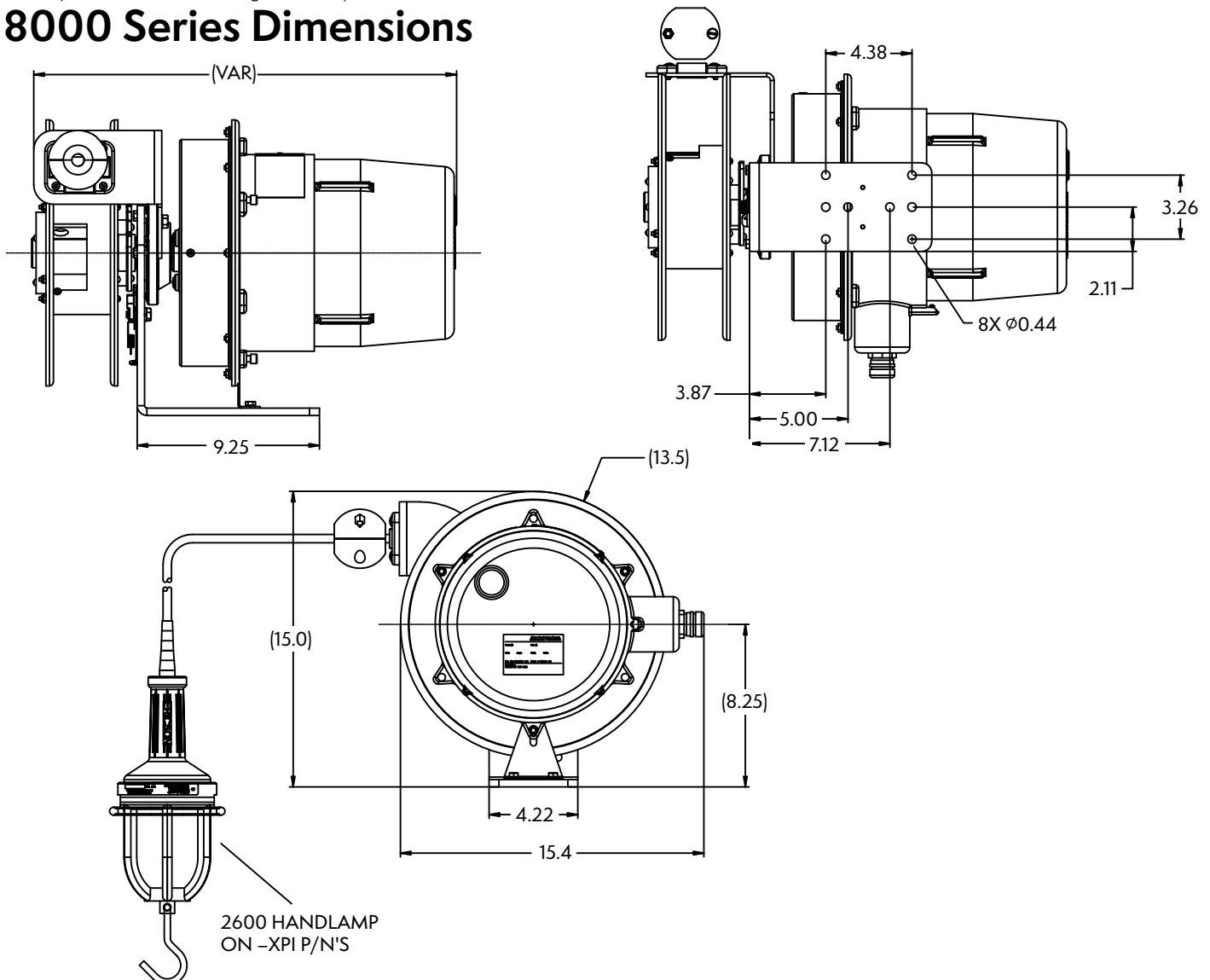
8000 Series

Part Number	Volts	Amps	Primary Cable	Secondary Cable Type	Secondary
50 ft. – 12 Amp with 14/4 SOW Cable					
8144-50	600	12	6ft. Blunt SOW Feeder Cable	SOW	Blunt Cable End
50 ft. – 15 Amp with 14/3 SOW Cable					
8143-50	600	15	6ft. Blunt SOW Feeder Cable	SOW	Blunt Cable End
50 ft. – 16 Amp with 12/4 SOW Cable					
8124-50	600	16	6ft. Blunt SOW Feeder Cable	SOW	Blunt Cable End
80 ft. – 25 Amp with 10/3 SOW Cable					
8103-80	600	25	6ft. Blunt SOW Feeder Cable	SOW	Blunt Cable End
80 ft. – 15 Amp with 14/3 SOW Cable					
8143-80	600	15	6ft. Blunt SOW Feeder Cable	SOW	Blunt Cable End

UL Listed, unless noted.

**Comprised of listed and recognized components

8000 Series Dimensions



Reel Accessories

345° Pivot Base

Industry Leading Features:

- All steel pivot base designed to allow 345° rotation
- Lifetime bearing (never needs lubrication)
- Swing can be restricted to 90°, 180°, and 270°
- Anodized clear finish

Part Number	Corresponding Reel
4000-SMA	4000
PB-45	4000-5000
PB-67	6000-7000
PB-80	8000

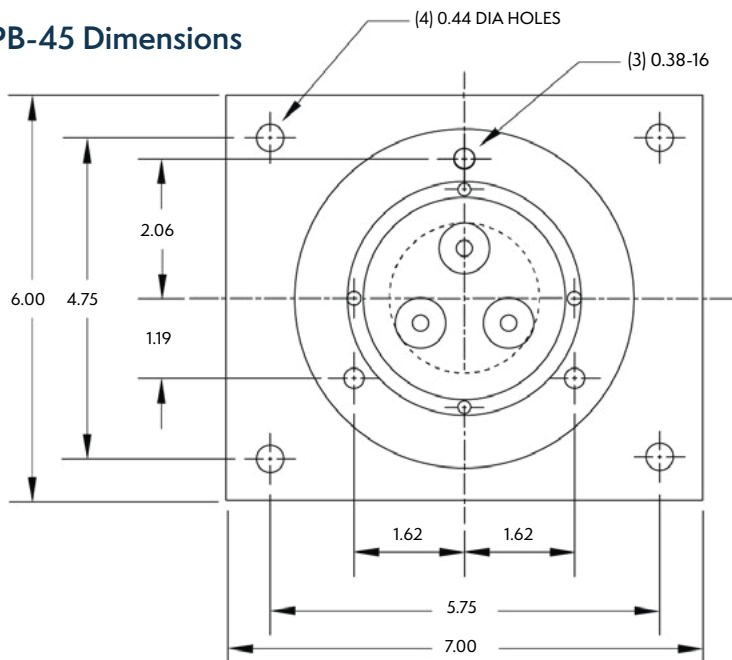


PB-45

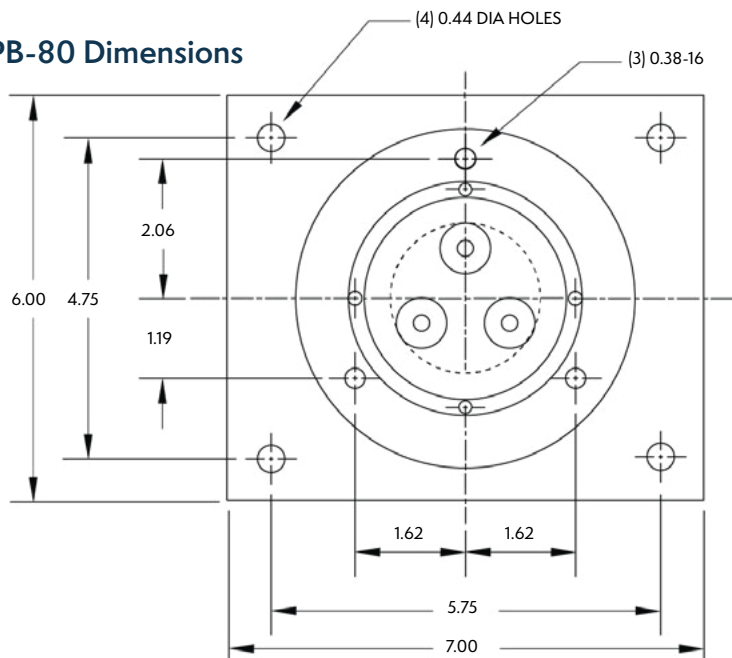


4000-SMA

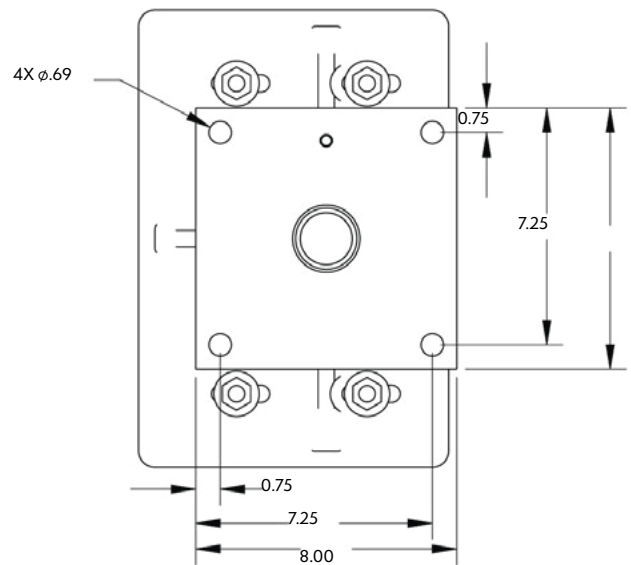
PB-45 Dimensions



PB-80 Dimensions



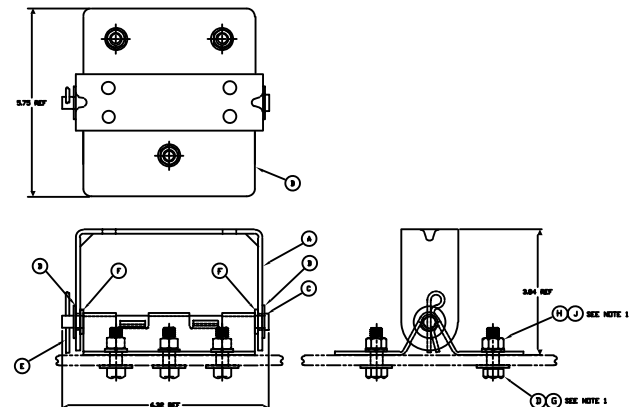
PB-67 Dimensions



8.00

4000 - Swing Mount Assembly

For wall mounting, if the cable needs to payout at an angle, then order this separately.



Reel Accessories

Cable Reel Ball Stops

Industry Leading Features:

- Also referred to as "cable stops", "balls stops" or "bumper stops"
- Generally used for manually operated lift and drag applications to govern retraction length
- Stops are required when accessories such as handlamps and receptacle boxes are installed on cable reels
- Suitable for all Ericson Cable reels

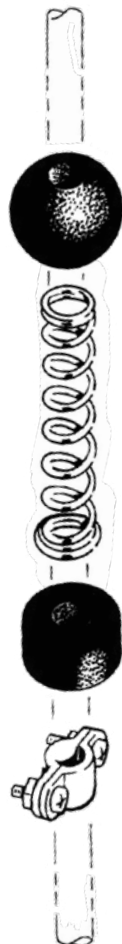
Part Number	Description
SC-1	Ball Stop up to 0.375"
SC-2	Cable O.D. 0.188"– 0.438" w/ shock absorbing spring
SC-3	Ball Stop Flat 0.44" to 0.62"
SC-4	Ball Stop Flat 0.63" to 0.750"
SC-5	Ball Stop Flat 0.75" to 1.05"
SC-6	Ball Stop 1.06" to 1.38"
SC-7	Ball Stop 1.39" to 1.55"
SC-8	Ball Stop 0.44" to 1.38"

Ball Stops

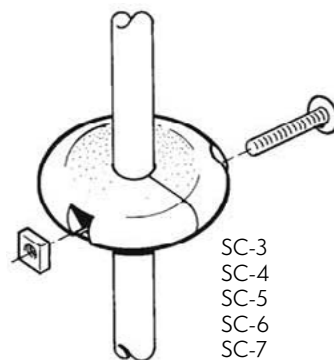
SC-1



SC-2

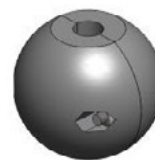


SC- 3 to 7



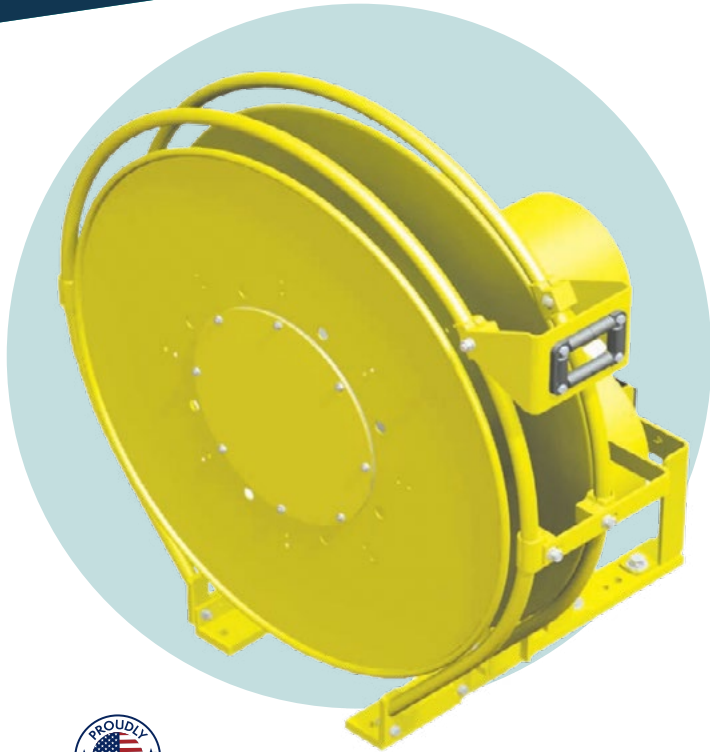
SC-3
SC-4
SC-5
SC-6
SC-7

SC-8



9000/10000 Series

Single & Dual Spring Motor



Applications:

- Overhead cranes & hoists
- Theater lighting cables
- High amperage, multi-circuit power applications
- Conveyors & trippers
- Heavy, large cable diameter & conductor applications
- Long cable length applications

Ericson's 9000 and 1000 series, single and dual spring motor cable reels are designed for rugged applications where larger cable and longer lengths require a spring motor to aid in retracting the cable. This series is engineered to support 16 through 1 AWG cable with up to 36 conductors with lengths up to 200 feet.

Their rugged design is found in the most demanding overhead cranes and hoists, theater lighting, and conveyors and tipper applications.

Industry Leading Features:

- All-steel modular construction with yellow powder coated finish
- NEMA 4 sealed slip ring enclosure
- 345° adjustable, 4-roller guides for direct or lateral pull-out and return to minimize cable stress
- Lifetime lubricated spring motor canister with an exclusive quick change spring feature
- External spring torque adjustment
- Lifting eyes
- Integrated junction box and spool support guard rails

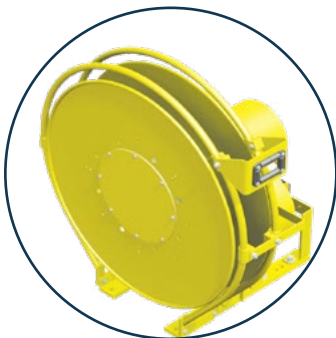
These options have several standard and custom options*

Standard Options:

- Left Hand Rotation
- Spool Lock
- Limit Switch
- Marine Duty
- Pivot Base
- Ratchet
- Reel Brake – (retraction governor)

*Several custom features available – contact Ericson representative at – 1-800-ERICSON

Unique Features:



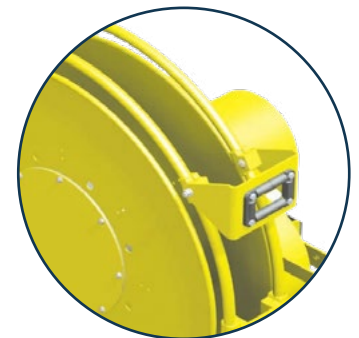
All-steel modular construction with yellow powder coated finish



Lifetime lubricated spring motor canister with an exclusive quick change spring feature



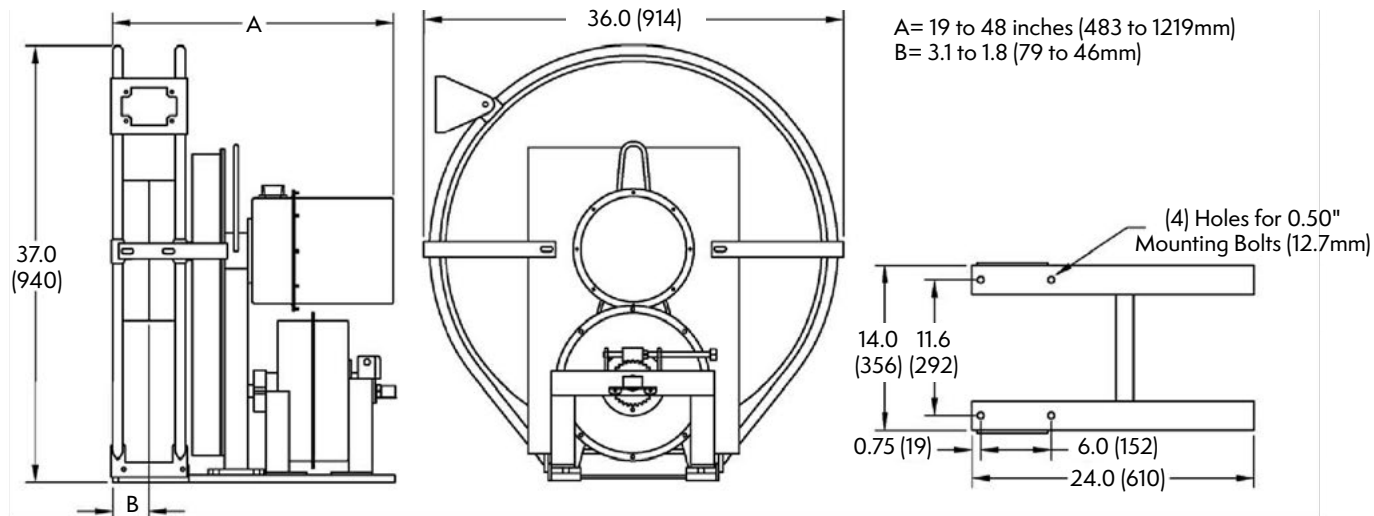
NEMA 4 sealed slip ring enclosure



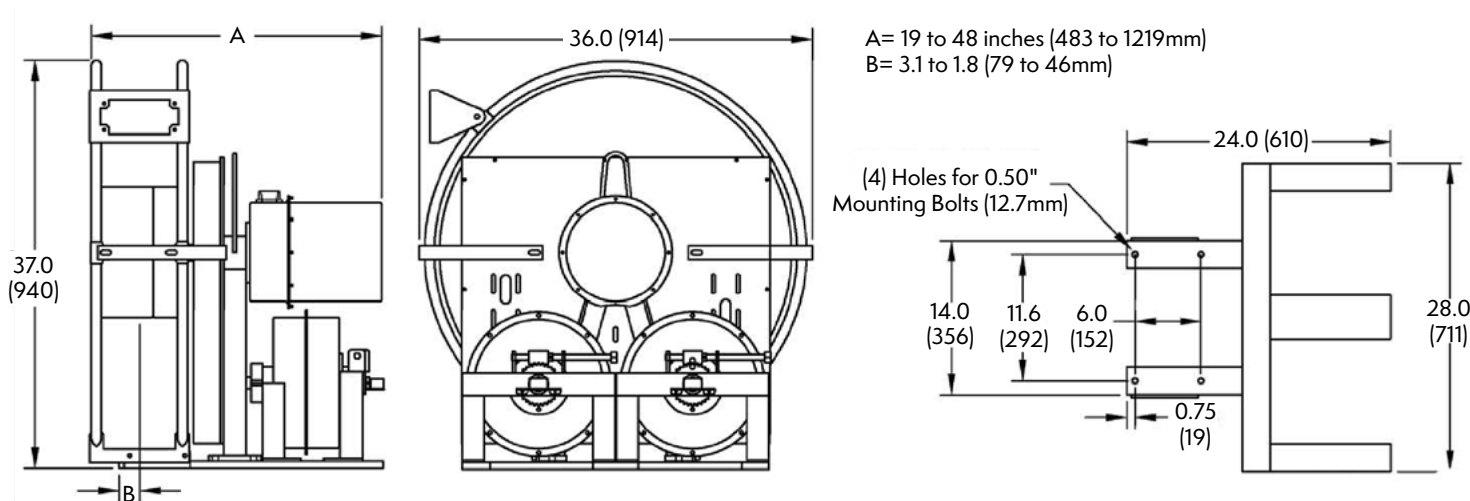
345° adjustable, 4-roller guides for direct or lateral pull-out & return to minimize cable stress

9000/10000 Series, Dimensions

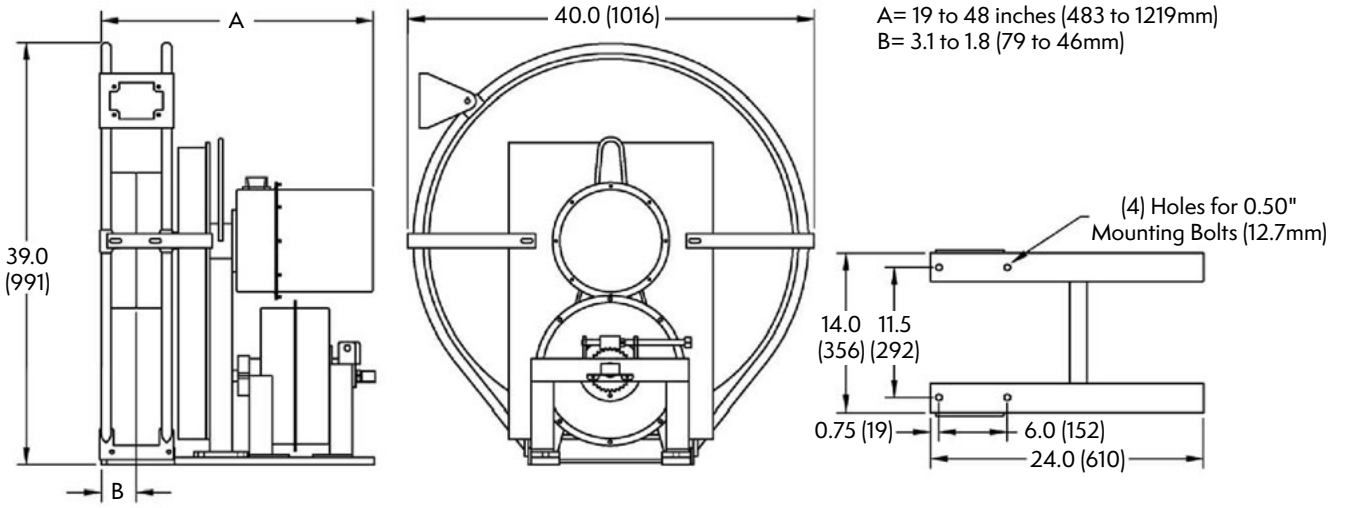
9000, Single Motor



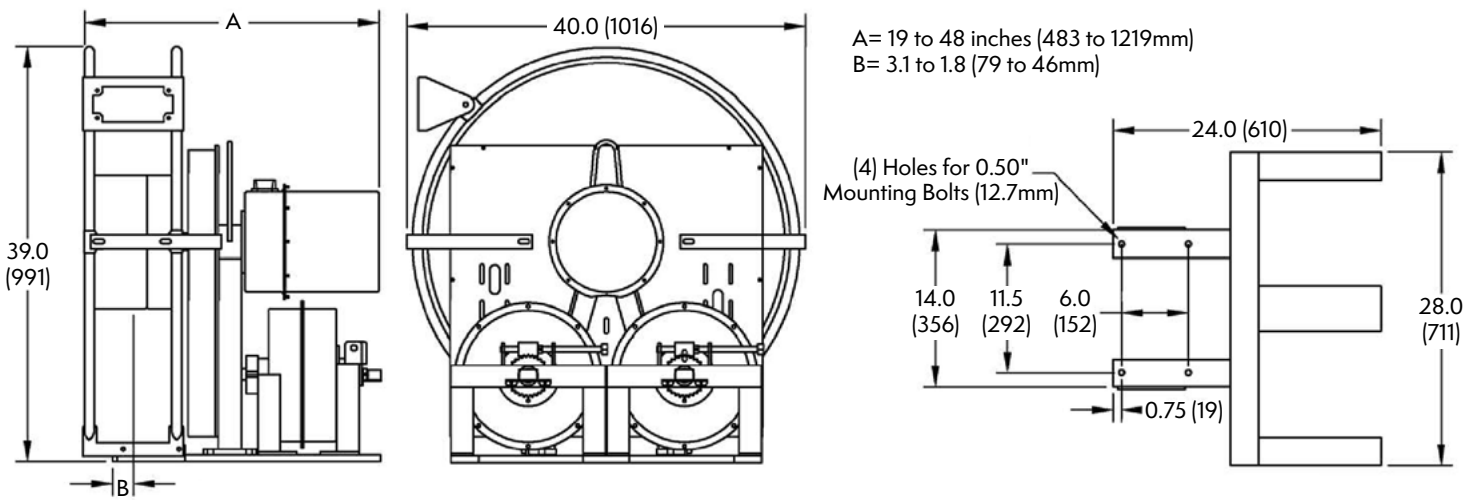
9000, Dual Motor



10000, Single Motor



10000, Dual Motor



SDR Series

Static Discharge Grounding Reels



Industry Leading Features:

- Built to NEC Standards
- Made in USA
- Aircraft type cable: 3/32" diameter standard steel
- Designed for indoor use
- Ratchet style return
- Rugged, all steel, modular construction
- Compact design
- Mounts in any position with spool perpendicular
- Ratchet and ball stop included
- Red or Blue epoxy coat finish
- External spring torque adjustment
- 100 Amp grounding clamp



Applications:

- Fuel tank static grounding
- Maintenance shops
- Airplane static grounding
- Any place where static might build up
- Utility vehicle static grounding and cause safety problems



Red Epoxy Coat Finish
25 and 50 ft. Enclosed Housing

Unique Features:



Rugged, all steel,
modular construction



Mounts in any position
with spool perpendicular



Ratchet and ball
stop included



100 amp
grounding clamp

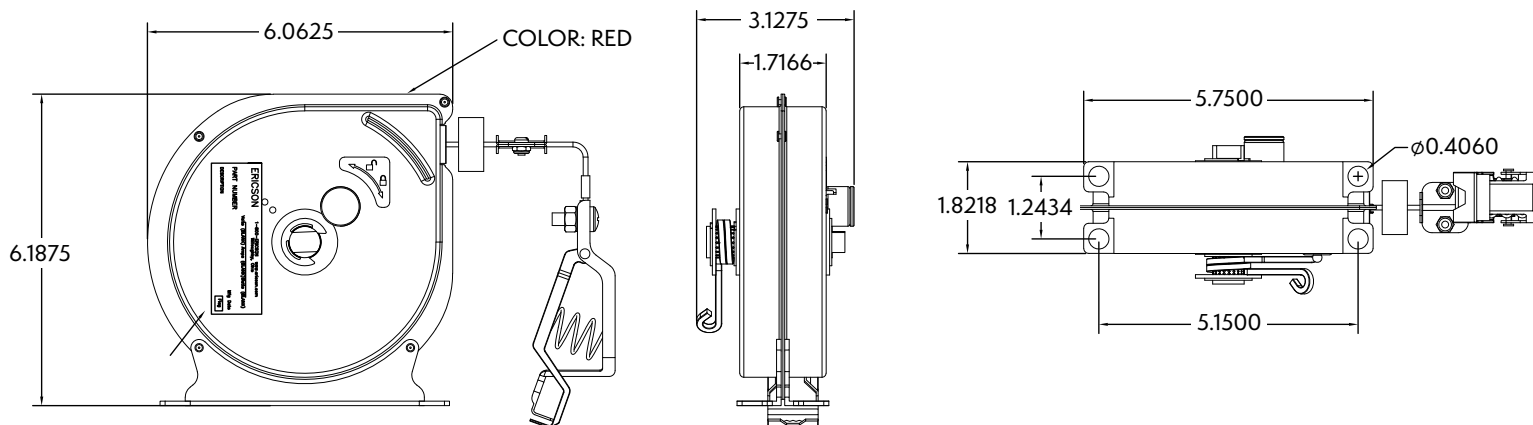
Selection Guide

SDR Series

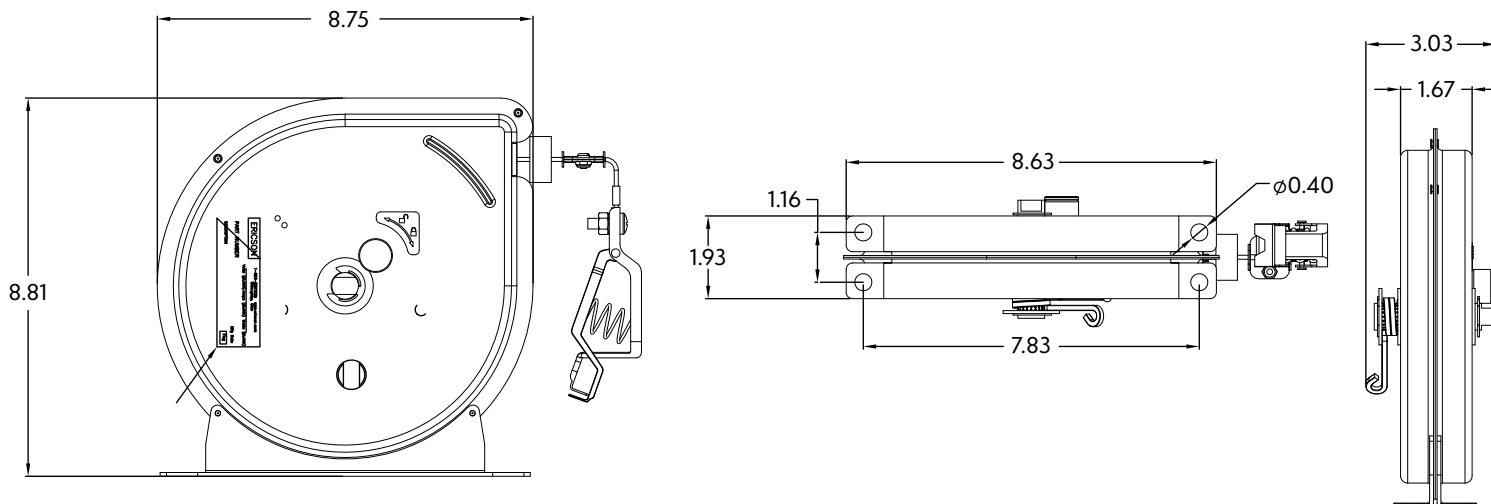
Part Number	Housing Color	Housing Type	Housing Diameter	Cable Type	Clamp
25 ft.					
SDR-25	Red	Enclosed	5.8"	Steel Braid, Uncoated, 3/32" Dia.	Included
50 ft.					
SDR-50	Red	Enclosed	8"	Steel Braid, Uncoated, 3/32" Dia.	Included
SDR-50-EZ	Blue	Open	11"	5/32" Galvanized Steel Cable, Plastic Coated	Included
100 ft.					
SDR-100-EZ	Blue	Open	14.5"	5/32" Galvanized Steel Cable, Plastic Coated	Included

SDR Series, Dimensions

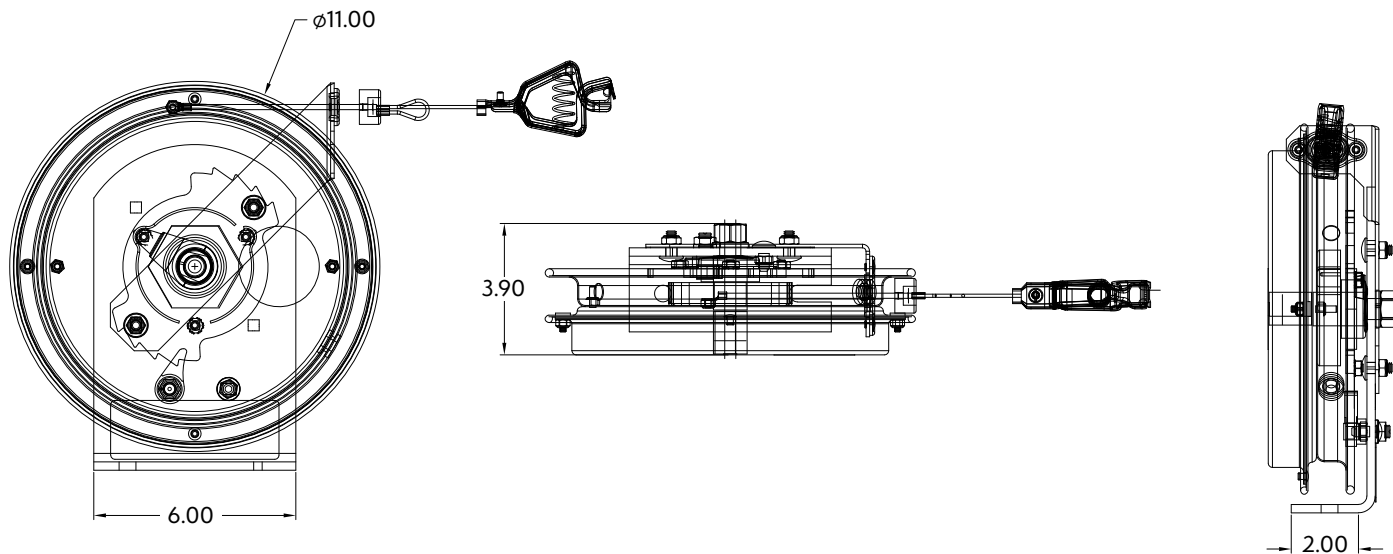
SDR-25



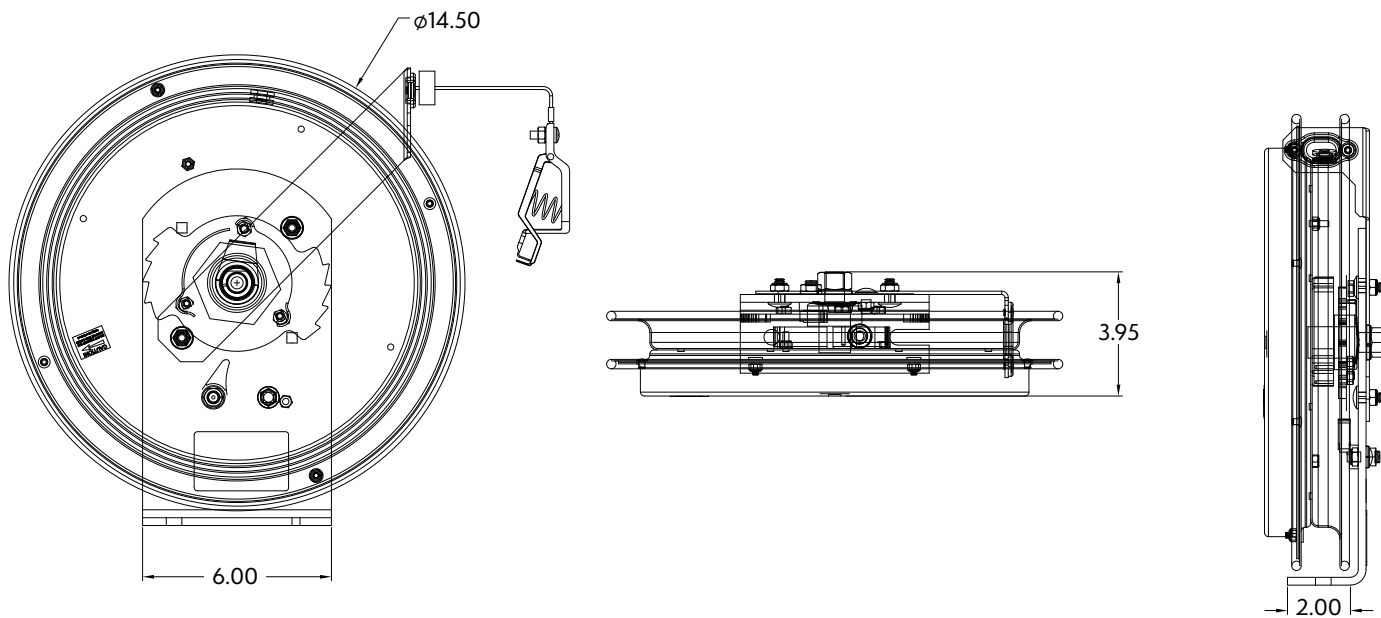
SDR-50



SDR-50-EZ



SDR-100-EZ

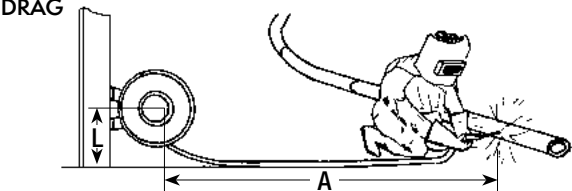
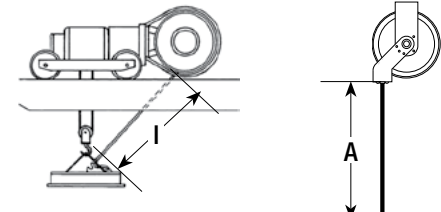
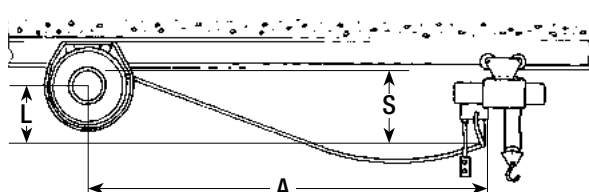
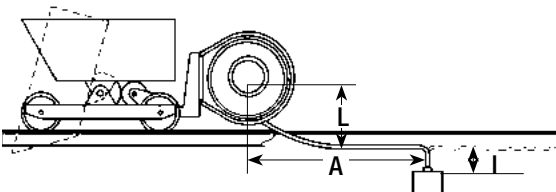


Design Your Own Cable Reel

Ericson offers a wide variety of Cable Reel options. Please use the form below to specify a reel to meet your application. Contact us at 1.800.ERICSON (1.800.374.2766) for assistance. Please email completed form to sales@ericson.com for a quotation.

Step 1: Cord Reel Application

How will the Cord Reel be used? (Check one below.)

<p>DRAG</p>  <p>The reel needs to "drag" the cable through supports or along the ground horizontally. The reel is usually stationary. Cable can be pulled out by hand or by machine.</p> <p>Note: This application is the hardest on cable life.</p>	<p>LIFT</p>  <p>The reel needs to "lift" the cable vertically. The reel is usually stationary. Cable is pulled out of the reel by machine or by hand (as with an overhead light source or a pendant station).</p>
<p>STRETCH</p>  <p>The cable is "stretched" horizontally and is unsupported. The reel may be stationary mounted or mounted onto moving equipment. Cable is pulled out by a machine. An extra 6% to 10% of cable beyond active travel is required for cable sag.</p>	<p>RETRIEVE</p>  <p>The reel needs to pick up ("retrieve") the cable. The reel is mounted on moving equipment. Cable is pulled out by machine.</p>

Step 2: Electrical Data

Amps	Operating Voltage (volts)	
	AC	DC
Operating Frequency (U.S. is 60 Hz)	Wire Gauge/Size Required	Number of Conductors Required (including ground)
	AWG Metric	
Cable Type Needed	Cable Length (see calculator below if needed)	

Step 3: Cable Length Needed

Lift Drag Stretch Retrieve

A = Active Length (The difference between minimum and maximum operating payout)

I = Inactive Length (The cable that will stay outside the reel, even at minimum payout)

S = Sag Allowance (Add 10% to the active+ inactive length to accommodate cable sag)

L = Lift Height (The distance from the cable lay up to the reel location)

H = Hook-up Length (The amt. needed to make connections at the "free end" of the cable)

TOTAL (Sum of all lengths listed above)

Feeder Cable Length (if needed)

This cable "feeds" the non-rotating part of the reel. A feeder cable is standard on some reels, as noted in the catalog; customer-supplied for other reels (usually the larger models).

Step 4: Environmental Data

Describe the environment in which the cable reel will be installed and used.

Installed Location

Indoor Outdoor Dusty Snow Ice Corrosive Hazardous Location Specify, _____

Electrical enclosure rating required (if known)

NEMA _____ IP _____

Ambient Temperature (please note F or C)

Min. Max. °F °C

Will there be corrosive materials present?

Yes No If yes, what type (salt, chlorine, steam, acids, etc.):

Is this a hazardous location?

Yes No If yes, state required NEC Class _____ Division _____ Group _____

Other Considerations (vibration, shock, loads, etc.)

Step 5: Mechanical Data

Duty Cycle (How often will the reel payout and retract)*

_____ cycles per (day/hour/etc.) _____

If reel will power moving equipment, what is the speed of the moving equipment?

ft/min m/min

How will the cable be paid out?***

Parallel with Spool At Angle from the Spool

Will cable pass through/along devices (rollers or sheaves) that might affect cable retraction?

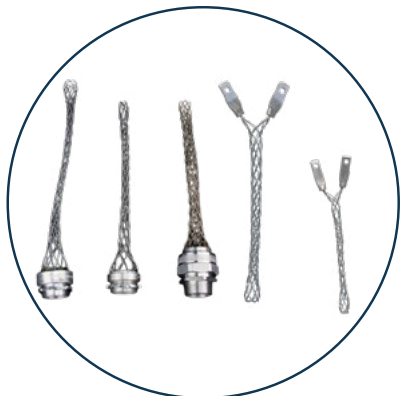
Yes No

*For very high cycle rates, and/or harsh environments, and/or cables that must be routed through sheaves or rollers, **a premium cable jacket may be required**

**If the cable payout is more than 15 degrees from parallel with the spool, a swivel base or swing-mount will be required

Related Products:

Click on an image for more product information.



[Wire Mesh Strain Relief](#)



[Industrial Grade Nonmetallic Boxes](#)



[GFCI Solutions](#)



[Perma-Link Plugs & Connectors](#)



[Perma-Grip Plugs & Connectors](#)



[Perma-Tite Plugs & Connectors](#)



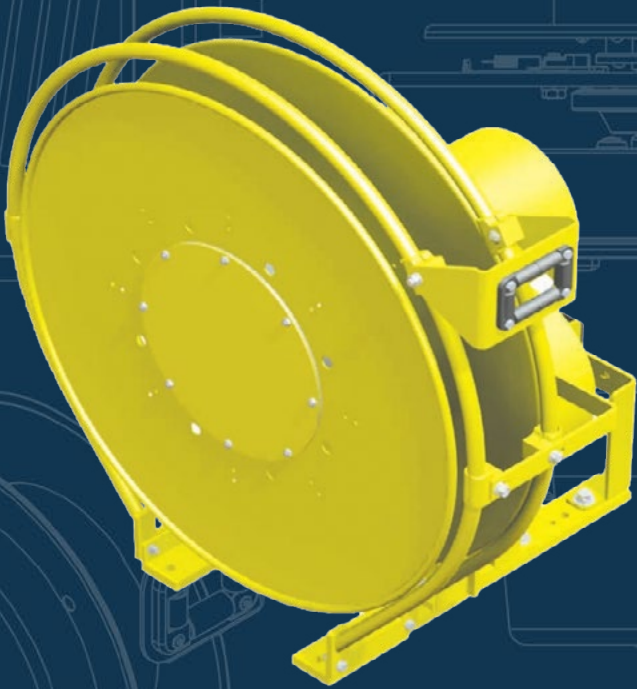
[7 & 9 Series Handlamp](#)



[70-N Vapor-Gard® Series Handlamp](#)



[HL Series Handlamp](#)



4323 Hamann Parkway
Willoughby, OH 44094, USA

1-800-ERICSON
info@ericson.com
L1000895F