

# 1004-LED-150-1

## 100-150 Watt Highbay

### Jobsite Lighting



### Industry Leading Features:

- cETLus listed
- Meets OSHA construction site requirements
- Meets NEC/CEC Requirements
- Input voltage : 100-277-Volt\*
- Wattage selectable - 100-Watt (16000LM), 120-Watt (19200LM), 150-Watt (24000LM)
- 5000K CCT Standard\*\*
- Wet location rated, IP65
- Temperature operating range: -36C (-33F) to 60C (140F)
- Dimmable, 0-10V
- Energy efficient, 160LM/Watt LED technology
- Cool, glare-free lighting
- 5-year limited warranty

#### Note -

- \* 277-480-Volt Driver Available
- \*\* 3000K & 4000K CCT Options Available

### Applications:

- Construction
- Emergency lighting
- Ship building
- Industrial
- Maintenance
- Tent lighting
- Utility
- Warehouse
- Data centers
- Retail locations



### Unique Features:



Simple Hanging



Wet Location,  
IP65 rated



50,000 Hour Life








Adjustable wattage/  
light output

# Selection Guide

Part Number	Input Wattage	Input Voltage	Lumens	Efficiency	CRI	Color Temperature	Beam Angle	Input Power Cord
1004-LED-150-1	100	100-277 VAC 50/60 Hz	16,000	160LM/W	>72	5000K	120°	5 ft. Blunt 18/3SJTW
	120		19,200	160LM/W	>72	5000K	120°	5 ft. Blunt 18/3SJTW
	150		24,000	160LM/W	>72	5000K	120°	5 ft. Blunt 18/3SJTW

**Note** - Product is not supplied with primary plug. Select from chart below for the appropriate plug configuration.

## NEMA Plug Configurations\* (120 - 277V):

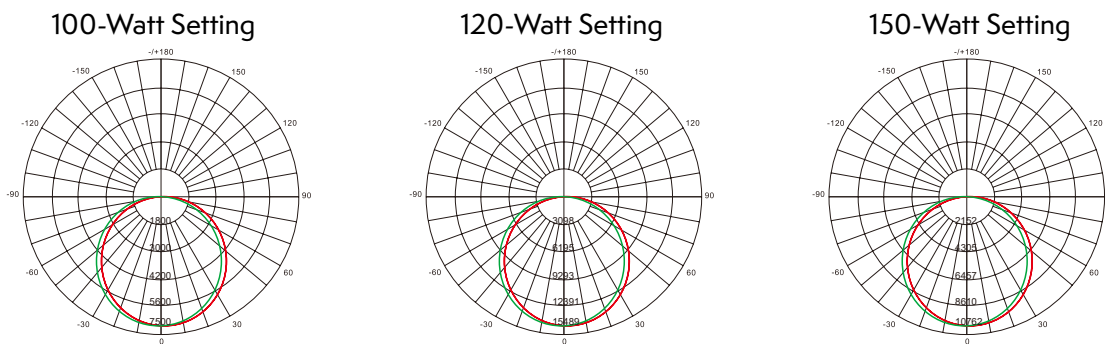
Face View	NEMA Configurations	Electrical Ratings		Perma-Link® Indoor Plug
		Amps	Volts	
	5-15	15	125	1510-P
	6-15	15	208-250	1514-P
	L5-15	15	125	1520-P
	L6-15	15	208-250	1522-P
	L7-15	15	277	1524-P



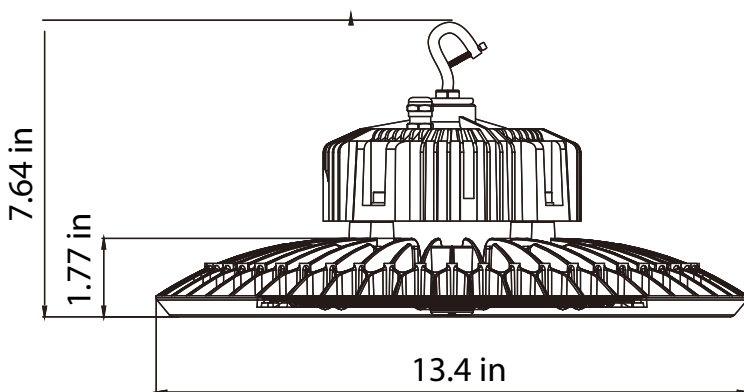
1510-P

\*- Product sold separately

## Photometrics



## Dimensions



Wattage Switch

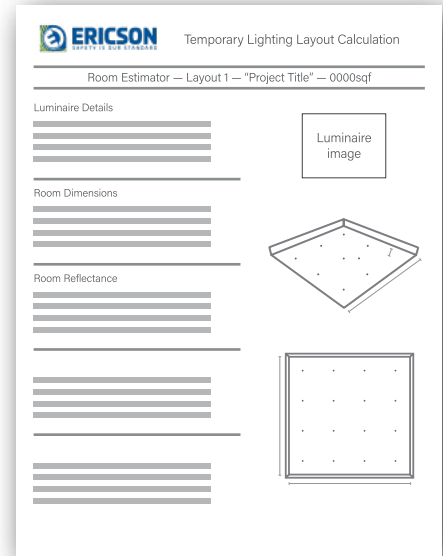
# Ericson Temporary Power and Lighting Layout Support

Critical to any safe Jobsite is the right amount of power and lighting in the right locations, for a safe and productive worksite.

Ericson offers lighting layout services that meet the OSHA required lumen output levels for various areas found on jobsites, to ensure productive installation and safe egress light levels.

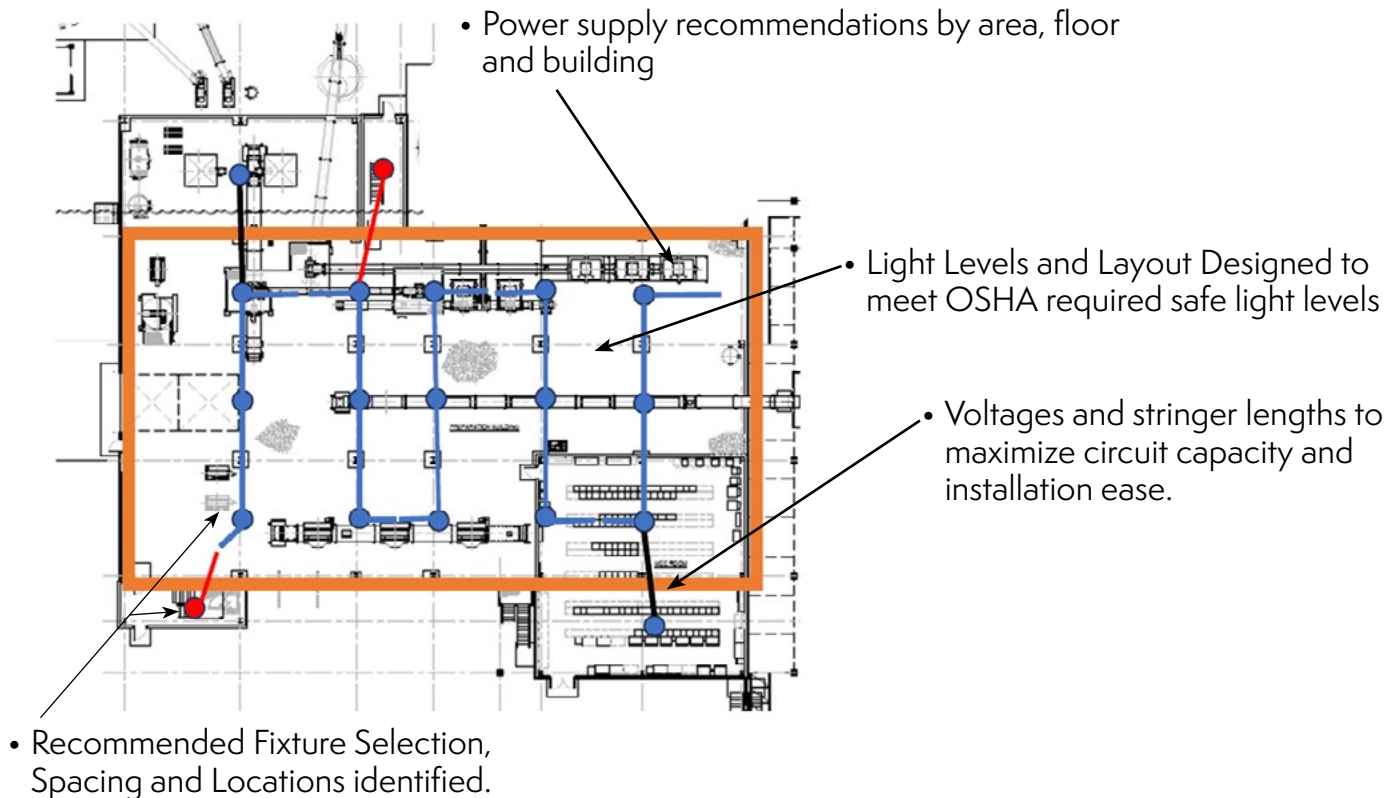
Based on your specific application and space requirements, our Product Applications Team will design a lighting and power system to meet code requirements for the tasks performed. The design process may include installation and power recommendations to reduce costs by maximizing circuit capacity and stringer lengths.

Reach out to your Ericson Representative or contact us at [www.ericson.com](http://www.ericson.com) to start the consultation process.



Representation only.

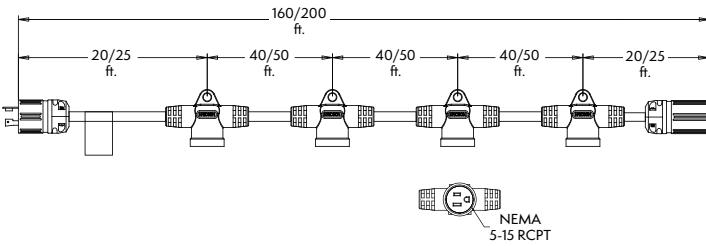
## Lighting and Power Layout Example



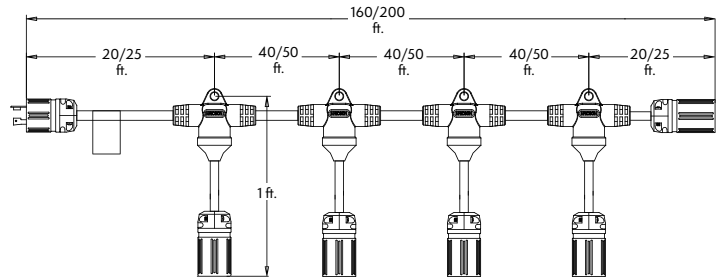
# Factory Assembled Light Stringers:



## 120-Volt, Receptacle Stringer



## 208, 277-Volt, Lighting Drop Stringer



Part Number	Cable	Primary Length (ft)	Spacing of rcpt/drops (ft)	Number of rcpt/drop	Secondary Length (ft)	Overall length (ft)	NEMA	Voltage	Receptacle or Drop
<b>40 ft Spacing</b>									
LS-143-40-4-120	14/3 SJTOW	20	40	4	20	160	5-15	120	Receptacle
LS-143-40-4-208	14/3 SJTOW	20	40	4	20	160	L6-15	208	1' Connector Drop
LS-143-40-4-277	14/3 SJTOW	20	40	4	20	160	L7-15	277	1' Connector Drop
<b>50 ft Spacing</b>									
LS-143-50-4-120	14/3 SJTOW	25	50	4	25	200	5-15	120	Receptacle
LS-143-50-4-208	14/3 SJTOW	25	50	4	25	200	L6-15	208	1' Connector Drop
LS-143-50-4-277	14/3 SJTOW	25	50	4	25	200	L7-15	277	1' Connector Drop

\* Contact factory for custom lighting layout to match your space requirements. See page 3 for layout information.

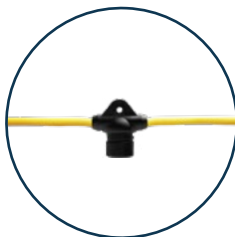
## Related Products:

Click on an image or scan the QR Code for more product information.

Learn More



**Commerical Grade**  
String Lights



**Industrial Location**  
String Light



**1006**  
100 & 150 Watt



**1007**  
Series



Ericson Manufacturing Company  
4323 Hamann Parkway  
Willoughby, OH 44094, USA



1-800-ERICSON  
info@ericson.com  
L1000857B

ericson.com