

Perma-Tite Gray

Industrial Grade Watertight



Industry Leading Features:

- UL & CSA Approvals
- NEMA 4, 4X, 6, 6P and IP69K
- ⊕ Exclusive 8 Point Tongue & Groove Sealing System
- ⊕ External Husk Molded from TPV for high resistance chemicals, moisture, and petroleum absorption
- Husk Grooves for secure non-slipping gloved grip
- ⊕ Color Coded Sealing Bushings are designed with various sizes to ensure secure dust and water-tight seal
- Nickel Plated Device Blades and Contacts offer superior corrosion resistance and service life
- ⊕ Nonmetallic Cord Grip Nut and Grommet System offer a wide range of cable sizes under one catalog number 82005
- ⊕ Removable & Replaceable self-retained cap standard for female connector and optional for plug

⊕ *Industry Leading, Ericson Exclusive*



Additional Features:

All Versions Available in Black
Additional Colors Available

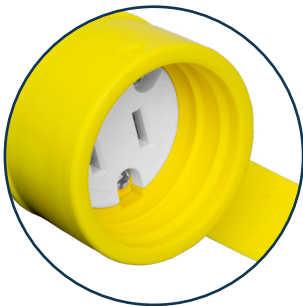


15-30 AMP Locking Configurations



Industry Exclusive
1/2" NPT Cord Grip Kit

Unique Features:



8 point tongue & groove sealing system with non-slip finger grips



PBT husk is highly resistant to moisture and petroleum absorbance



Corrosion resistant blades, contacts and assembly screws



Optional male closure cap for 15 & 20A straight and 15A locking plugs available

NEMA Configuration Selection Chart:

	Face View	NEMA Configuration	Amperage	Voltage	Ericson PermaTite Gray Plug*	Ericson PermaTite Plug*	Ericson PermaTite Gray Connector Catalog #*	Ericson PermaTite Connector
2-Pole / 3-Wire		NEMA 5-15	15A	125V	14W47	1510-PW6P	15W47	1610-CW6P
		NEMA 5-20	20A	125V	14W33	1512-PW6P	15W33	1612-CW6P
		NEMA L5-15	15A	125V	24W47	1520-PW6P	25W47	1620-CW6P
		NEMA L5-20	20A	125V	26W47	2310-PW6P	27W47	2410-CW6P
		NEMA L5-30	30A	125V	28W47	2510-PW6P	29W47	2610-CW6P
		NEMA 6-15	15A	250V	14W49	1514-PW6P	15W49	1614-CW6P
		NEMA 6-20	20A	250V	14W48	1516-PW6P	15W48	1616-CW6P
		NEMA L6-15	15A	250V	24W49	1522-PW6P	25W49	1622-CW6P
		NEMA L6-20	20A	250V	26W48	2312-PW6P	27W48	2412-CW6P
		NEMA L6-30	30A	250V	26W74	2512-PW6P	27W74	2612-CW6P
		NEMA L7-15	15A	277V	24W34	1524-PW6P	25W34	1624-CW6P
		NEMA L7-20	20A	277V	26W49	2314-PW6P	27W49	2414-CW6P
		NEMA L7-30	30A	277V	26W75	2514-PW6P	27W75	2614-CW6P
	3-pole 3-wire		Non-NEMA ¹	20A	125 / 250V	26W08	2316-PW6P	27W08
		Non-NEMA ¹	20/10A	250 / 600V	26W10	2317-PW6P	27W10	2417-CW6P
		Non-NEMA ¹	15/10A	125 / 250V	14W07	1507-PW6P	15W07	1607-CW6P
3-pole / 4-wire		NEMA L14-20	20A	125 / 250V	26W74	2320-PW6P	27W74	2420-CW6P
		NEMA L14-30	30A	125 / 250V	28W74	2520-PW6P	29W74	2620-CW6P
		NEMA L15-20	20A	250V / 3-phase	26W75	2322-PW6P	27W75	2422-CW6P
		NEMA L15-30	30A	250V / 3-phase	28W75	2522-PW6P	29W75	2622-CW6P
		NEMA L16-20	20A	480V / 3-phase	26W76	2324-PW6P	27W76	2424-CW6P
		NEMA L16-30	30A	480V / 3-phase	28W76	2524-PW6P	29W76	2624-CW6P
		NEMA L17-30	30A	600V / 3-phase	28W77	2526-PW6P	29W77	2626-CW6P
		Non-NEMA ¹	20A	120 / 208V	26W09	2326-PW6P	27W09	2426-CW6P
3-pole 3-wire		Non-NEMA ¹	30A	125 / 250V	28W08	2516-PW6P	29W08	2616-CW6P
4-pole 4-wire		NEMA L18-30	30A	120 / 208V 3-phase wye	28W76	2530-PW6P	29W76	2630-CW6P
		Non-NEMA ¹	30A	120 / 208V 3-phase wye		2528-PW6P		2628-CW6P
4-pole 5-wire		NEMA L21-20	20A	120 / 208V 3-phase wye	26W81	2328-PW6P	27W81	2428-CW6P

¹All non-NEMA configurations are non-grounding
 *Available in black by adding BK to catalog number

Replacement Connector Covers & Plug Cover:



16CW Fits 15 & 20-Amp Straight Blade & 15-Amp Locking Connectors

24CW Fits 20 & 30-Amp, 2 Pole, 3 Wire Connectors

26CW Fits 20 & 30-Amp, 3 Pole, 4 Wire & 4 Pole, 5 Wire Connectors



15PW Fits 15 & 20-Amp Straight Blade & 15-Amp Locking Plugs

Features:

- Use with Ericson's Perma-Tite® plugs and connectors to seal out water, dust and other contaminants and protect blades from damage
- Eight-point rubber tongue and groove sealing system provides environmental protection
- Silicone cord grip nut covers are designed to channel liquids away from the cord and device

Part Number	Description
15PW	Male closure cap, for use with 15A Straight Blade & Locking devices and 20A Straight Blade devices.
16CW	Female closure cap, for use with 15A Straight Blade & Locking devices and 20A Straight Blade devices.
24CW	Female closure cap, for use with 20 & 30-Amp, 2 Pole, 3 Wire Connectors
26CW	Female closure cap, for use with 20 & 30-Amp, 3 Pole, 4 Wire & 4 Pole, 5 Wire Connectors
SIL-BOOT-LG5-BL	Blue silicone cord grip nut cover used for 20 & 30-Amp locking devices. Bag of 5.
SIL-BOOT-SM5-BL	Blue silicone cord grip nut cover used for 15-Amp straight & locking devices, and 20-Amp straight blade. Bag of 5.



SIL-BOOT-SM5 & LG5
Blue



-SM5

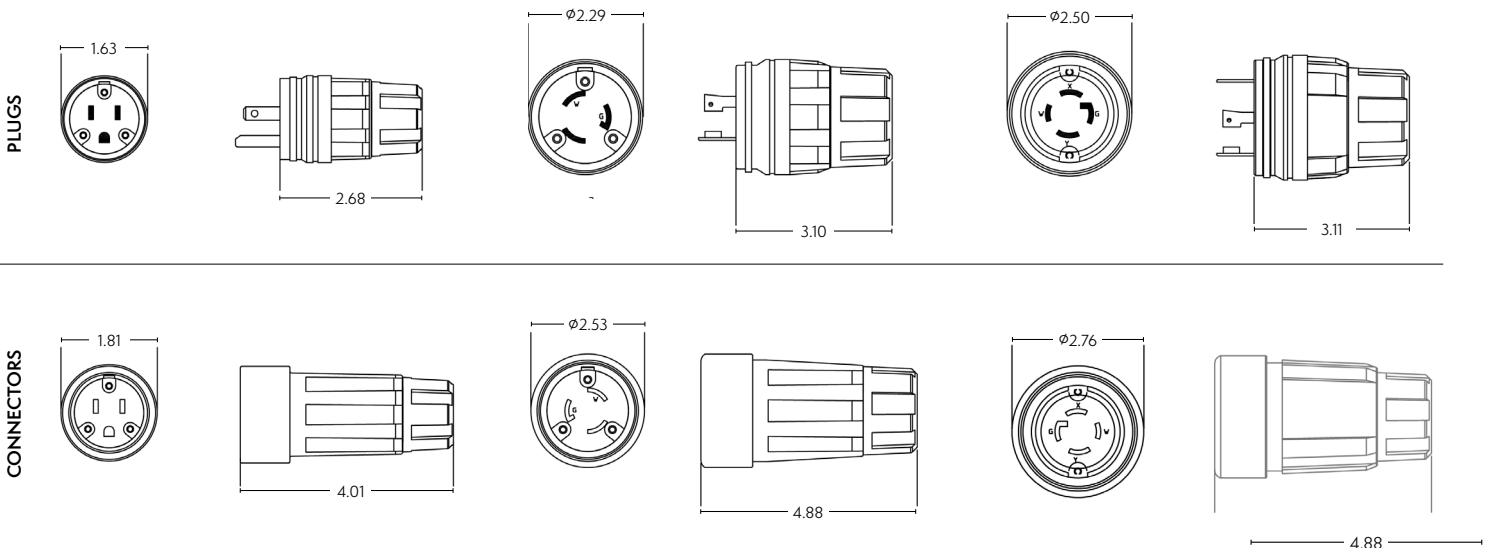
-LG5

Product Dimensions:

10/15/20-Amp Straight,
15-Amp Locking

20/30-Amp Locking, 2p, 3w

20/30-Amp Locking
4 & 5p, 4 & 5w



Ericson Watertight Grommet Guide

		B10200XX**						B10220XX**							WIRE																
		Small White OVAL #24	Small Orange OVAL #25	Small Yellow #21	Small White #20	Small Red #16	Small Blue #18	Large White #91	Large Yellow #90	Large Black #89	Large Blue #88	Large Gray #87	Large Red #86	Large Orange #85	.160 x .360	.230 x .440	.370	.450	.560	.610	.450	.560	.630	.690	.750	.830	.900	3	4	5	
MAX CORD DIA. (inch)	Plug - Industry/Ericson	Connector - Industry/Ericson																													
	14W47 / 1510-PW6P	15W47 / 1610-CW6P	✓	✓	✓	✓																									
	14W33 / 1512-PW6P	15W33 / 1612-CW6P	✓	✓	✓	✓																									
	14W49 / 1514-PW6P	15W49 / 1614-CW6P	✓	✓	✓	✓																									
	14W48 / 1516-PW6P	15W48 / 1616-CW6P	✓	✓	✓	✓																									
	24W47 / 1520-PW6P	25W47 / 1620-CW6P	✓	✓	✓	✓																									
	24W49 / 1522-PW6P	25W49 / 1622-CW6P	✓	✓	✓	✓																									
	24W34 / 1524-PW6P	25W34 / 1624-CW6P	✓	✓	✓	✓																									
	26W47 / 2310-PW6P	27W47 / 2410-CW6P						✓	✓	✓	✓																				
	26W48 / 2312-PW6P	27W48 / 2412-CW6P						✓	✓	✓	✓																				
	26W49 / 2314-PW6P	27W49 / 2414-CW6P						✓	✓	✓	✓																				
	26W08 / 2316-PW6P	27W08 / 2416-CW6P						✓	✓	✓	✓																				
	26W10 / 2317-PW6P	27W10 / 2417-CW6P						✓	✓	✓	✓																				
	26W74 / 2320-PW6P	27W74 / 2420-CW6P							✓	✓	✓	✓																			
	26W75 / 2322-PW6P	27W75 / 2422-CW6P							✓	✓	✓	✓																			
	26W76 / 2324-PW6P	27W76 / 2424-CW6P							✓	✓	✓	✓																			
	28W47 / 2510-PW6P	29W47 / 2610-CW6P						✓	✓	✓	✓																				
	26W74 / 2512-PW6P	27W74 / 2612-CW6P						✓	✓	✓	✓																				
	26W75 / 2514-PW6P	27W75 / 2614-CW6P						✓	✓	✓	✓																				
	28W08 / 2516-PW6P	29W08 / 2616-CW6P						✓	✓	✓	✓																				
	28W74 / 2520-PW6P	29W74 / 2620-CW6P									✓	✓	✓																		
	28W75 / 2522-PW6P	29W75 / 2622-CW6P									✓	✓	✓																		
	28W76 / 2524-PW6P	29W76 / 2624-CW6P									✓	✓	✓																		
	28W77 / 2526-PW6P	29W77 / 2626-CW6P									✓	✓	✓																		
	2528-PW6P	2628-CW6P									✓	✓	✓																		
	28W76 / 2530-PW6P	29W76 / 2630-CW6P									✓	✓	✓																		
	26W81 / 2328-PW6P	27W81 / 2428-CW6P							✓		✓	✓	✓																		

Note:
To build a grommet catalog number replace the "XX" with grommet number desired, e.g. B1020021
*May also appear as light tan
**May be ordered separately - Call for details

✓ = included in package

B10200XX**							1/2" NPT Nonmetallic Cord Grip Kit				
#24	#25	#21	#20	#16	#18		Part Number	Cable Range			
							82005	.37-.61			
B10220XX**											
#91	#90	#89	#88	#87	#86	#85					

Learn More



Related Products:

Click on an image or scan the QR code for more product information.



Perma-Link
1510-P, 1610-C



Perma-Grip
1510-PG, 1610-CG



FS Series Straight
and Locking Covers



PWDX Series Straight
and Locking Receptacles



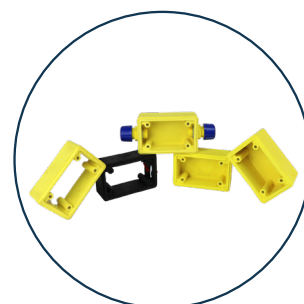
SmartMonitor
AEGCP Compliant
1510-PML/GML, 1610-CML/GML



SmartMonitor
AEGCP Compliant
1510-PW6PL, 1610-CW6PL



Perma-Kleen Antimicrobial
IP69k Water Tight
1510 PW6P-AM, 1610 CW6P-AM



6200 Series
Boxes

Factory & Custom Assembled Cordsets:



Perma-Link Cordset



Perma-Tite Cordset



Perma-Kleen Cordset



SmartMonitor Cordset



Ericson Manufacturing Company
4323 Hamann Parkway
Willoughby, OH 44094, USA



1-800-374-2766
info@ericson.com
L1000919B

ericson.com