

# PWDX SERIES

## Heavy Duty Watertight Receptacles



**ERICSON**  
SAFETY IS OUR STANDARD



### Industry Leading Features:

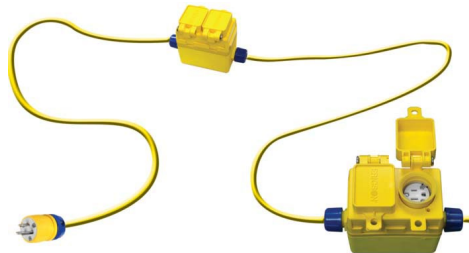
- cULus approved for USA & Canada
- Watertight when connected to Ericson-PW6P style plugs
- 15 & 20-Amp Straight Blade and 15A Locking Configurations that support Ericson Watertight Plugs
- Nickel Plated Device Blades and Contacts offer superior corrosion resistance and service life
- Time saving Pre-wired Duplex Receptacle
- Locking Receptacle Covers for Safety
- Space Saving surface mount design for panel or FS/FD box mounting
- Wide range of Rugged, Chemical and Corrosion Resistant, Rubber FS & FD box options for feed-in and feed-through
- Non-Metallic Cord Grip & Deluxe Wire Mesh Strain Relief Available
- Available Factory assembled cord drops

 **Industry Leading, Ericson Exclusive**



### Supports Perma-Tite & Perma-Kleen Plugs

Factory Assembled  
Watertight Stringer  
Available

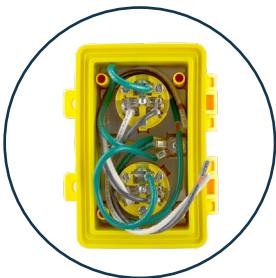


15-AMP Straight &  
Locking Plugs & Connectors,  
20-AMP Straight Blade  
Plugs & Connectors



Learn more about Ericson  
watertight connections.

### Unique Features:



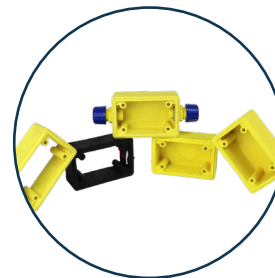
Pre-wired box or  
surface mounted  
duplex receptacle



Watertight seal  
when connected



Lock out duplex  
cover for safety



Rubber FS, FD and  
Open Box options



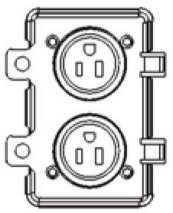
Factory Assembled  
Cord Drops available

1.800.ERICSON

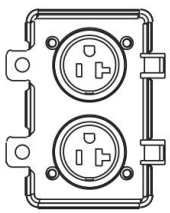
info@ericson.com

# NEMA Configuration Chart:

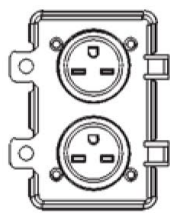
Face View	NEMA Configuration	Description	Amperage	Voltage	Part Number	Mating Perma-Tite Plug	Mating Perma-Kleen Plug
<b>Straight</b>							
	NEMA 5-15	Duplex Receptacle & WP Covers	15A	125V	1610-PWDX	1510-PW6P	1510-PW6P-AM
	NEMA 5-20	Duplex Receptacle & WP Covers	20A	125V	1612-PWDX	1512-PW6P	1512-PW6P-AM
	NEMA 6-15	Duplex Receptacle & WP Covers	15A	250V	1614-PWDX	1514-PW6P	1514-PW6P-AM
	NEMA 6-20	Duplex Receptacle & WP Covers	20A	250V	1616-PWDX	1616-PW6P	1616-PW6P-AM
<b>Locking</b>							
	NEMA L5-15	Duplex Receptacle & WP Covers	15A	125V	1620-PWDX	1520-PW6P	1520-PW6P-AM
	NEMA L6-15	Duplex Receptacle & WP Covers	15A	250V	1622-PWDX	1522-PW6P	1522-PW6P-AM
	NEMA L7-15	Duplex Receptacle & WP Covers	15A	277V	1624-PWDX	1524-PW6P	1524-PW6P-AM



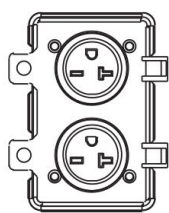
1610-PWDX



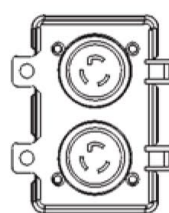
1612-PWDX



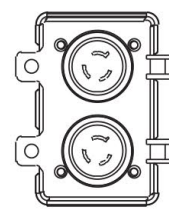
1614-PWDX



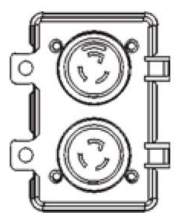
1616-PWDX



1620-PWDX



1622-PWDX



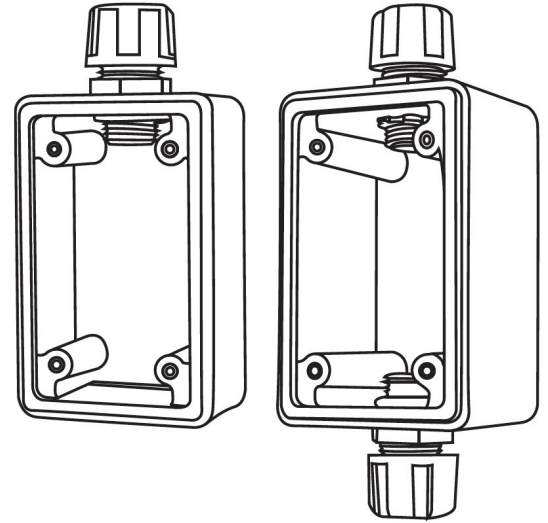
1624-PWDX

## Rubberized FS & FD Boxes

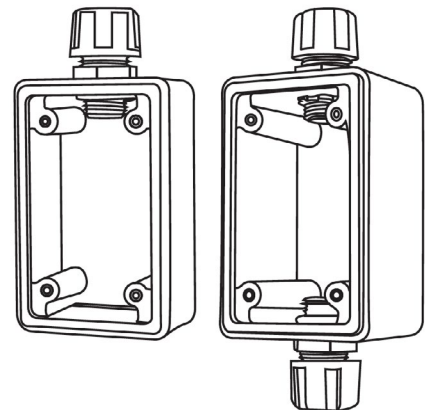
Part Number	Description	
<b>Boxes for PWDX - 1/2"-1" Opening - No Bushing Kit</b>		
6212FS	Box, Std Depth, PWDX, No bushing, 1/2" NPT	
6234FS	Box, Std Depth, PWDX, No bushing, 3/4" NPT	
6210FS	Box, Std Depth, PWDX, No bushing, 1" NPT	
6212FDK	Box, Deep, PWDX, No bushing, 1/2" NPT	
6234FD	Box, Deep, PWDX, No bushing, 3/4" NPT	
6210FD	Box, Deep, PWDX, No bushing, 1" NPT	
6212FT	Box, Feed Through, PWDX, No bushing, 1/2" NPT	
6234FT	Box, Feed Through, PWDX, No bushing, 1/2" NPT	
6210FT	Box, Feed Through, PWDX, No bushing, 1" NPT	
6212FSF	Box, Std Depth, PWDX, No Bushing, Feed thru, 1/2" NPT	
6234FSF	Box, Std Depth, PWDX, No Bushing, Feed thru, 1/2" NPT	
6210FSF	Box, Std Depth, PWDX, No Bushing, Feed thru, 1" NPT	
6212FDF	Box, Deep, PWDX, No Bushing, Feed thru, 1/2" NPT	
6234FDF	Box, Deep, PWDX, No Bushing, Feed thru, 3/4" NPT	
6210FDF	Box, Deep, PWDX, No Bushing, Feed thru, 1" NPT	
6212FTF	Box, Feed Through, PWDX, No Bushing, Feed thru, 1/2" NPT	
6234FTF	Box, Feed Through, PWDX, No Bushing, Feed thru, 3/4" NPT	
6210FTF	Box, Feed Through, PWDX, No Bushing, Feed thru, 1" NPT	

# Rubberized FS & FD Boxes, Cont.

Boxes for PWDX - 1/2" NPT Bushing Installed (N = Non Metallic W = Wire Mesh)	
6212NFS	Box, Std Depth, NM Bushing, 1/2" NPT
6212NFD	Box, Deep, NM Bushing, 1/2" NPT
6212NFT	Box, Std Depth, Wire Mesh Bushing, 1/2" NPT
6212NFSF	Box, Deep, Wire Mesh Bushing, 1/2" NPT
6212NDFD	Box, Std Depth, NM Bushing, 3/4" NPT
6212NFTF	Box, Deep, NM Bushing, 3/4" NPT
6212WFS	Box, Std Depth, Wire Mesh Bushing, 3/4" NPT
6212WFD	Box, Deep, Wire Mesh Bushing, 3/4" NPT
6212WFT	Box, Std Depth, NM Bushing, 1" NPT
6212WFSF	Box, Deep, NM Bushing, 1" NPT
6212WDFD	Box, Feed Through, NM Bushing, 1" NPT
6212WFTF	Box, Std Depth, Wire Mesh Bushing, 1" NPT
Boxes for PWDX - 3/4" NPT Bushing Installed (N = Non Metallic W = Wire Mesh)	
6234NFS	Box, Std Depth, PWDX, NM Bushing, 3/4" NPT
6234NFD	Box, Deep, PWDX, NM Bushing, 3/4" NPT
6234NFT	Box, Feed Through, PWDX, NM Bushing, 3/4" NPT
6234NFSF	Box, Std Depth, PWDX, NM Bushing, Feed thru, 3/4" NPT
6234NDFD	Box, Deep, PWDX, NM Bushing, Feed thru, 3/4" NPT
6234NFTF	Box, Feed Through, PWDX, NM Bushing, Feed thru, 3/4" NPT
6234WFS	Box, Std Depth, PWDX, Wire Mesh Bushing, 3/4" NPT
6234WFD	Box, Deep, PWDX, Wire Mesh Bushing, 3/4" NPT
6234WFT	Box, Feed Through, PWDX, Wire Mesh Bushing, 3/4" NPT
6234WFSF	Box, Std Depth, PWDX, Wire Mesh Bushing, Feed thru, 3/4" NPT
6234WDFD	Box, Deep, PWDX, Wire Mesh Bushing, Feed thru, 3/4" NPT
6234WFTF	Box, Feed Through, PWDX, Wire Mesh Bushing, Feed thru, 3/4" NPT



Part Number	Description
Boxes for PWDX - 1" NPT Bushing Installed (N = Non Metallic W = Wire Mesh)	
6210NFS	Box, Std Depth, PWDX, No bushing, 1/2" NPT
6210NFD	Box, Std Depth, PWDX, No bushing, 3/4" NPT
6210NFT	Box, Std Depth, PWDX, No bushing, 1" NPT
6210NFSF	Box, Deep, PWDX, No bushing, 1/2" NPT
6210NDFD	Box, Deep, PWDX, No bushing, 3/4" NPT
6210NFTF	Box, Deep, PWDX, No bushing, 1" NPT
6210WFS	Box, Feed Through, PWDX, No bushing, 1/2" NPT
6210WFD	Box, Feed Through, PWDX, No bushing, 1/2" NPT
6210WFT	Box, Feed Through, PWDX, No bushing, 1" NPT
6210WFSF	Box, Std Depth, PWDX, No Bushing, Feed thru, 1/2" NPT
6210WDFD	Box, Std Depth, PWDX, No Bushing, Feed thru, 1/2" NPT
6210WFTF	Box, Std Depth, PWDX, No Bushing, Feed thru, 1" NPT



# Ericson Watertight Grommet Guide for Nonmetallic Boxes - 6200 Series, PWDX & FS Series

1600-PWDX-GFCI Series  
Combination Watertight FS GFCI and PWDX Receptacle

MAX CORD DIA.(inch)	B10200XX**					
	Small White OVAL #24	Small Orange OVAL #25	Small Yellow #21	Small White #20	Small Red #16	Small Blue #18
	OVAL (UF) .160 x .360	OVAL (UF) .230 x .440	.370	.450	.560	.610
NM Box Catalog #			Yellow	White**	Red	Blue
6212NFS	✓	✓	✓	✓	✓	✓
6212NFD	Optional**	Optional**	✓	✓	✓	✓
6212NFSK			✓	✓	✓	✓
6212NFDK			✓	✓	✓	✓



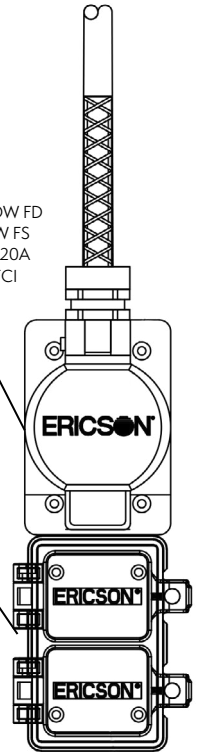
**Note:**  
To build a grommet catalog number replace the "XX" with grommet number desired, e.g. B1020021

✓ = included in package

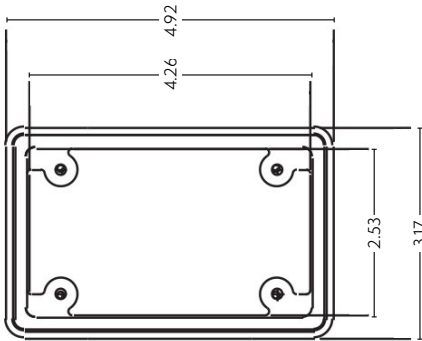
\*May also appear as light tan  
\*\*May be ordered separately - Call for details

ERICSON YELLOW FD BOX W/ YELLOW FS COVER AND (1) 20A BLANK FACE GFCI

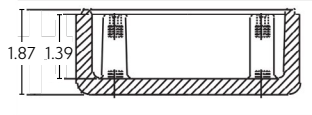
NEMA 5-20 2 SINGLE WATERTIGHT RECEPTACLES



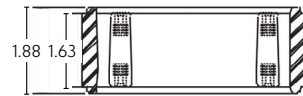
## 6200 Series Box Dimensions:



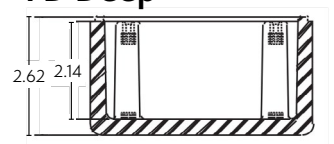
FS Standard



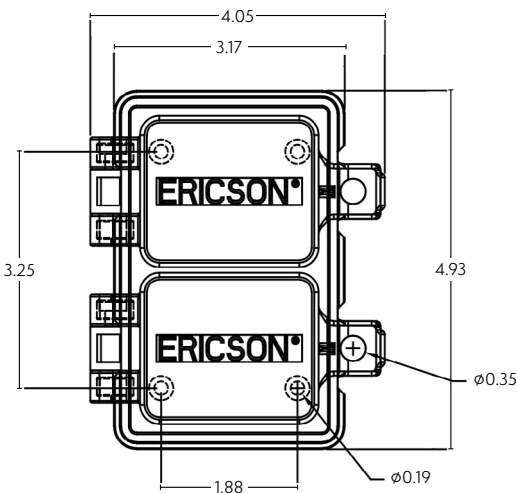
FT Feed Thru



FD Deep

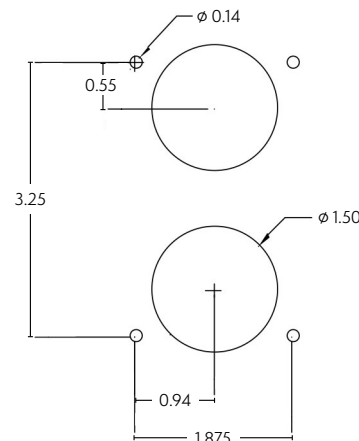


## PWDX Dimensions:

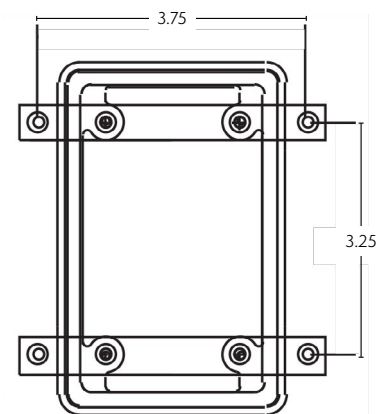


## Mounting Templates:

PWDX Series on Flat Panel



6260 WK Wall Kit



# Watertight Wire Mesh, Cord Grip & Lock Nut Selection Charts

Watertight Deluxe Wire Mesh Strain Relief		
Size	Part Number	Cable Range
1/2" NPT	DCG-43-F2	.31-.43
1/2" NPT	DCG-50-F2	.37-.50
3/4" NPT	DCG-50-F3	.37-.50
3/4" NPT	DCG-62-F3	.50-.62
3/4" NPT	DCG-75-F3	.62-.75
1" NPT	DCG-75-F4	.62-.75
1" NPT	DCG-87-F4	.75-.87
1" NPT	DCG-100-F4	.87-1.0



6200 FS, Feed Through and FD Style Industrial Grade, Watertight, Non-Metallic Boxes			
Non-Metallic Cord Grip	Part Number	Cable Range	
1/2" NPT	82005	.37-.61	
3/4" NPT	82034	.45-.70	
1" NPT	82010	.59-1.0	

Lock Nuts (10pcs to polybag)		
Size	Part Number	
1/2" NPT	Locknut-50	
3/4" NPT	Locknut-75	
1" NPT	Locknut-100	



Wall Mounting Kit  
6260WK

## Related Products:

Click on an image or scan the QR code for more product information.



Perma-Tite  
IP69k Water Tight  
1510-PW6P, 1610-CW6P



Perma-Kleen Antimicrobial  
IP69k Water Tight  
1510 PW6P-AM, 1610 CW6P-AM



SmartMonitor  
AEGCP Compliant  
1510-PW6PL, 1610-CW6PL



FS Series Straight and  
Locking Covers



Perma-Tite Cordset



Perma-Kleen Cordset



Smart Monitor Cordset



Pin and Sleeve



Ericson Manufacturing Company  
4323 Hamann Parkway  
Willoughby, OH 44094, USA



1-800-374-2766  
info@ericson.com  
L1000512D